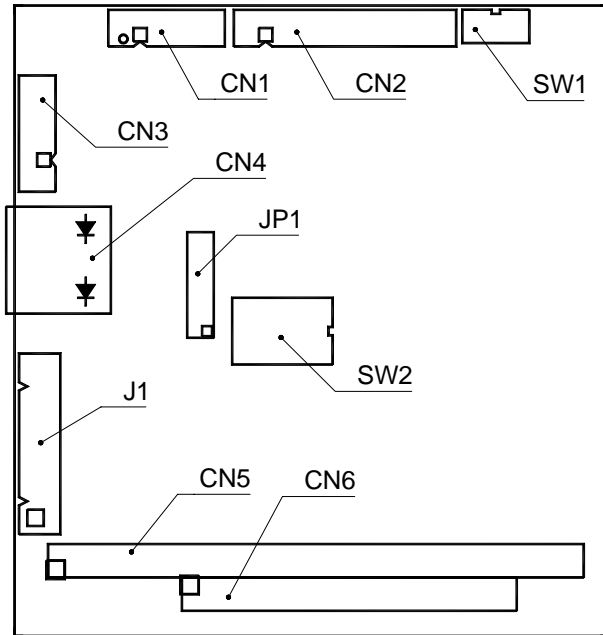


## 1. Brief

The FB1603B is a PC/104 10/100-BaseTX LAN module. It provides Fast Ethernet connectivity solutions for embedded applications. This quick setting provides the jumper/switch settings, connector location, and their pin assignment.

## 2. Board Placement



## 3. Packing List

- 1 FB1603B PC/104 10/100-BaseTX LAN module with anti-static bag.
- 1 10-pin LAN adapter cable with transfer board. (FB4605A, **Optional**)
- 1 Compact Disc including necessary utilities and drivers.
- 1 hard copies of this quick setup manual.

## 4. Features

- \* Stack through PC/104 bus.
- \* 10/100-BaseTX, SMsC 93C113 chipset with RJ-45 connector.
- \* 8 addresses selectable and 8 interrupt level selectable.
- \* On-Board PLCC socket for LAN boot-ROM.
- \* Board size: 90 mm x 96 mm, standard PC/104 form factor.

## 5. Jumpers, Switches and Connectors

### A. Base I/O Address Select (SW2-1, SW2-2, and SW2-3)

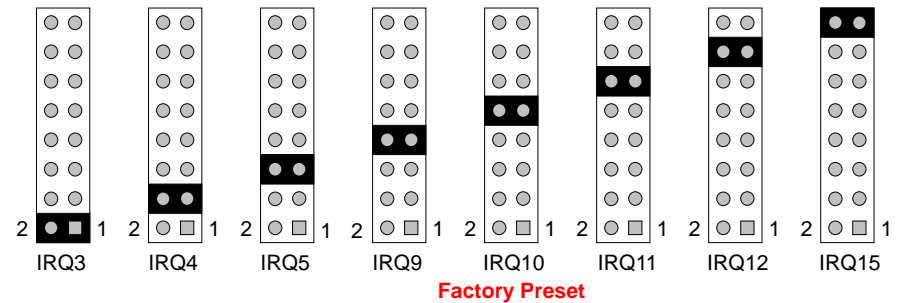
SW2-1	SW2-2	SW2-3	Mapping I/O Address	Remark
Off	Off	Off	300H	<b>Factory Preset</b>
Others			Reserved	

### B. Firmware Mapping Address Select (SW2-5 and SW2-6)

SW2-5 and SW2-6 are use to select mapping address of on-board boot-ROM socket.

SW2-5	SW2-6	Mapping Address	Remark
Off	Off	None (Disabled)	<b>Factory Preset</b>
On	Off	C800H:0 (8Kbytes)	
Off	On	D000H:0 (8Kbytes)	
On	On	D800H:0 (8Kbytes)	

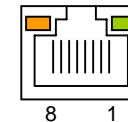
### C. IRQ Select (JP1)



### D. LAN Connector and LED Indicators (CN4 & J1)

CN4 is a RJ45 connector with 2 LEDs for LAN port. The left side LED (orange) indicates data is accessing and the right side LED (green) indicates on-line status. (When lighted indicates on-line and off indicates off-line) J1 is use to connects LAN signals to off-board with LAN adapter cable and FB4605A (optional). The following figure and table list the pin assignment of CN4 and RJ45 connector on the FB4605A LAN adapter board:

CN4 and RJ45 connector on FB4605A adapter board  
(Front View)



RJ45	Signal	RJ45	Signal
1	TPTX+	5	FBG1
2	TPTX-	6	TPRX-
3	TPRX+	7	FBG2
4	FBG1	8	FBG2