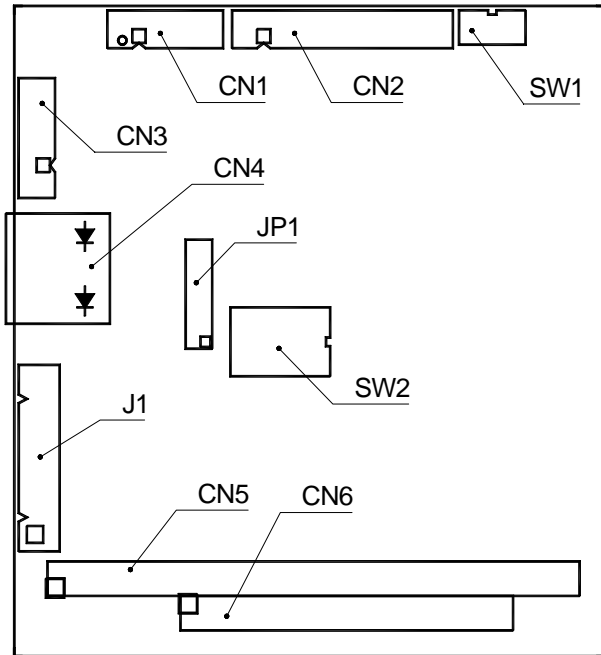


1. Brief

The FB1603C is a PC/104 10-BaseT LAN module. It provides 10M-bit Ethernet connectivity solutions for embedded applications. This quick setting provides the switch settings, connector location, and their pin assignment.

2. Board Placement



3. Packing List

- 1 FB1603C PC/104 10-BaseT LAN module with anti-static bag.
- 1 6-pin LAN adapter cable with transfer board. (FB4605, **Optional**)
- 1 Compact Disc including necessary utilities and drivers.
- 1 hard copies of this quick setup manual.

4. Features

- * Stack through PC/104 bus.
- * 10Base-T, DM9008 chipset with RJ-45 connector.
- * 16 addresses selectable and 8 interrupt level selectable with software configuration.
- * On-Board PLCC socket for LAN boot-ROM.
- * Board size: 90 mm x 96 mm, standard PC/104 form factor.

5. Switches and Connectors

A. Firmware Mapping Address Select (SW1)

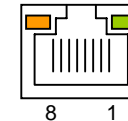
SW1 is use to select mapping address of on-board boot-ROM socket.

SW1-1	SW1-2	Mapping Address	Remark
Off	Off	None (Disabled)	Factory Preset
On	Off	C800H:0 (8Kbytes)	
Off	On	D000H:0 (8Kbytes)	
On	On	D800H:0 (8Kbytes)	

B. LAN Connector and LED Indicators (CN4 & J1)

CN4 is a RJ45 connector with 2 LEDs for LAN port. The left side LED (orange) indicates data is accessing and the right side LED (green) is not used. J1 is use to connects LAN signals to off-board with LAN adapter cable and FB4605 (optional). The following figure and table list the pin assignment of CN4 and RJ45 connector on the FB4605 LAN adapter board:

CN4 and RJ45 connector on FB4605 adapter board (Front View)



RJ45	Signal	RJ45	Signal
1	TPTX+	5	Not Used
2	TPTX-	6	TPRX-
3	TPRX+	7	Not Used
4	Not Used	8	Not Used