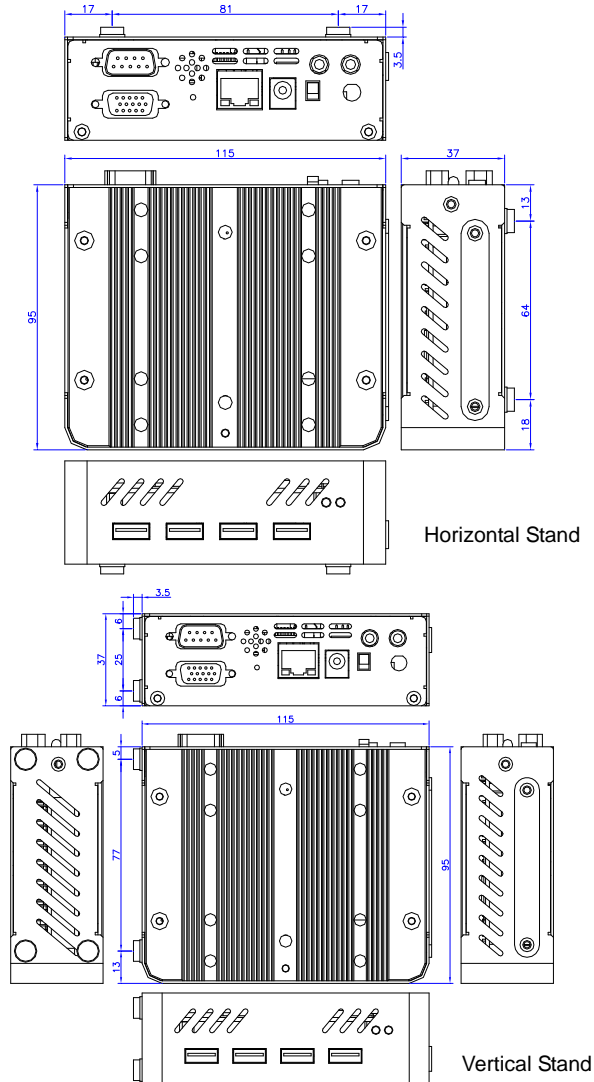


1. Brief

The FX5204x is a compact size embedded system with VIA low-power Nano processor board inside. This user's quick reference provides the I/O outlets description and their pin assignment.

2. Dimensions (in mm)



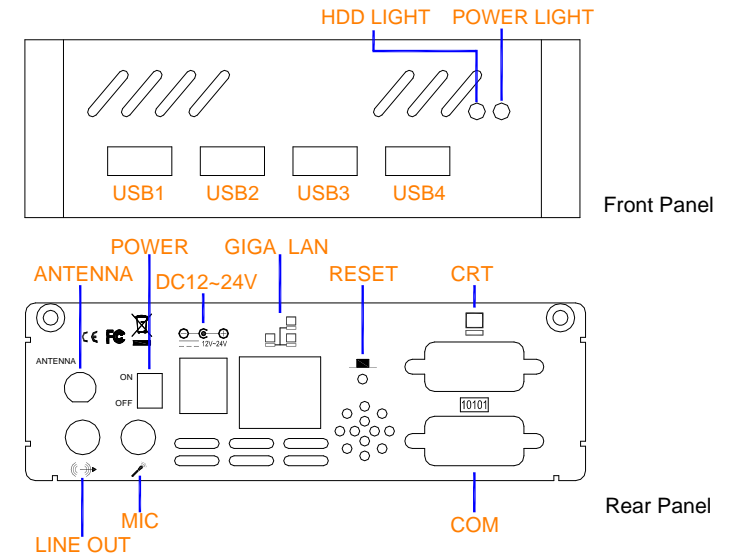
3. Packing List

- 1 FX5204x embedded system.
- 1 AC to DC power adapter and 1 AC power code cable.
- 1 pack of wall mount kit with 2 fixed screws. (FX5311K1)
- 1 compact disc includes software utilities and manual files.

4. Features

- * **Processor Board**
VIA Nano 1GHz processor with 1GB DDR2 RAM.
- * **I/O Outlets**
One 10/100/1000 base-TX Ethernet port.
4 USB ports (V2.0) and 1 RS-232 serial port.
1 VGA and 2 Audio connectors (Earphone and Microphone).
1 mini card socket for mini card modules, especially for WLAN/GPRS modules.
1 DC-In plug connector with 1 power switch.
1 power LED, 1 HDD/CF access LED, and 2 LAN LEDs.
1 Push button reset switch.
- * **Storage Bay**
1 CompactFlash socket for CompactFlash modules or MicroDrives.
One STAT DOM socket and space.
- * **Power requirement**
+12 ~ +24V DC, 2.1A maximum (1.1A typical) with 19V input voltage.
- * **Dimensions**
115.0mm(D) x 95.0mm(W) x 37mm(H)

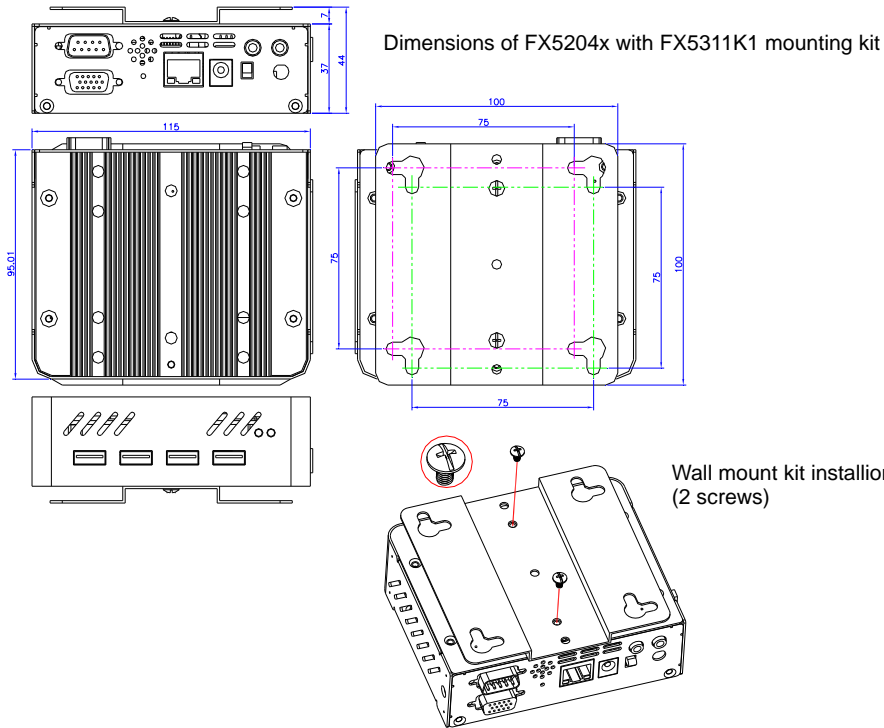
5. I/O outlets and LED Indicators



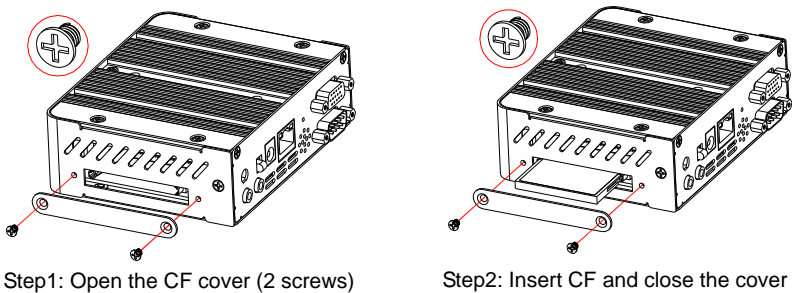
6. Software Configuration and Driver Installation

Please refer to the driver installing documentaion in the included Compact Disc for installing what device driver you need. If you need to change the system settings or configurations of I/O ports, Please refer to User's Manual (also in the included Compact Disc) for details.

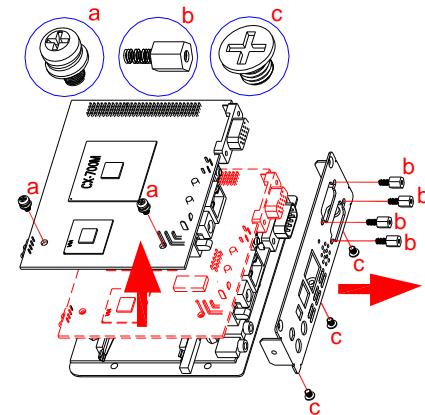
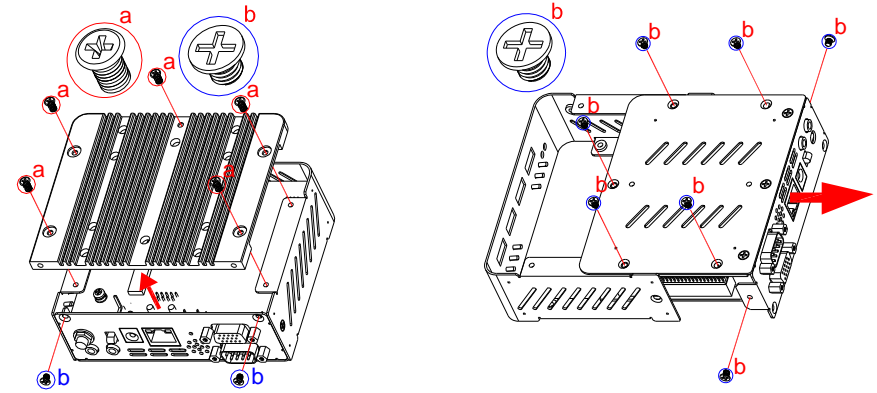
7. Installing the Wall Mount Kit on FX5204x



8. Installing CompactFlash Module into FX5204x



9. Installing DDR2 Module, SATA DOM, Mini Card Module, and SIM Card on FX5204



Step 4: Put these 2 boards as shown carefully



Step 5: Install/Change the DDR2 module



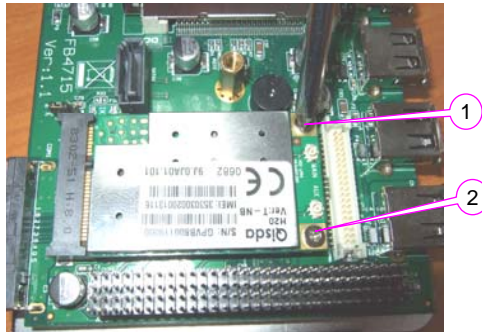
Step 6: Install SATA DOM if necessary (1 screw)



Step 7: Install SIM card if necessary



Step 8: Lay the SIM card down as shown



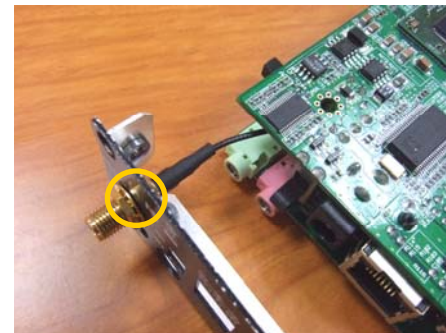
Step 9: Install mini card module (2 screws)



Step 10: Install the Antenna cable



Step 11: Combine two boards (2 screws)



Step 12: Fix the Antenna cable with rear panel

Step 13: Close case with reverse procedures of open the case

End of Document