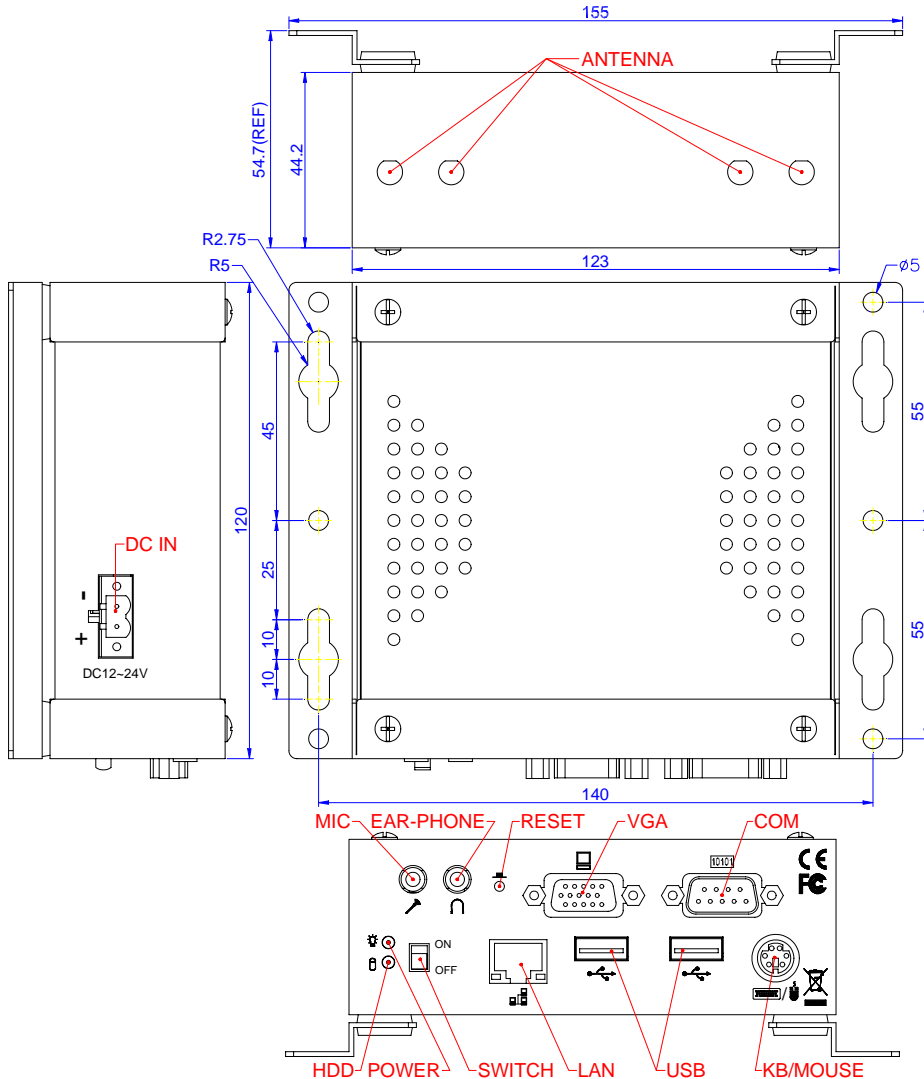


1. Brief

The FX5205x is a compact size embedded system with AMD low-power LX-800 processor board inside. This user's quick reference provides the I/O outlets description and their pin assignment.

2. Dimensions (in mm) and I/O Outlets



3. Packing List

- 1 FX5205x embedded system.
- 1 Y-type (3-end) PS/2 keyboard plus mouse port adapter cable. (Optional)
- 1 pack of 2.5" hard disk installation kit with 6 screws.
- 1 pack of 2 wall-mount fixers with 4 screws.
- 1 2-pin apartable terminal block.
- 1 compact disc includes software utility.

4. Features

- * **Processor Board**
AMD low power LX-800 processor with 512MB DDR RAM.
- * **I/O Outlets**
One 10/100 base-TX Ethernet ports.
2 USB ports (V2.0) and 1 RS-232 serial port.
1 CRT and 1 PS/2 compatible keyboard/mouse interface.
1 Earphone and 1 Microphone connectors.
1 DC-In terminal block with 1 power switch.
1 power LED, 1 HDD/CF access LED, and 2 LAN LEDs.
1 Push button reset switch.
4 Antenna holes for Wireless modules.
- * **Storage Bay**
1 CompactFlash socket for CompactFlash modules or MicroDrives.
One 2.5" SATA hard disk space.
- * **Power requirement**
+12 ~ +24V DC, 1.1A maximum (0.53A typical) with 19V input voltage.
- * **Dimensions (1U height)**
120.0mm(D) x 123.0mm(W) x 44.2mm(H)

5. More Informations for I/O outlets and LED Indicators

A. Power Connector (2-pin Terminal Block)

The power input needs 12~24V DC with 15% tolerance, and 26VA minimum.

B. Keyboard/Mouse Connectors

Standard PS/2 keyboard can be plugged into this connector without any adapter cable. If PS/2 keyboard and mouse will be used simultaneously, the optional Y-type adapter cable is needed.

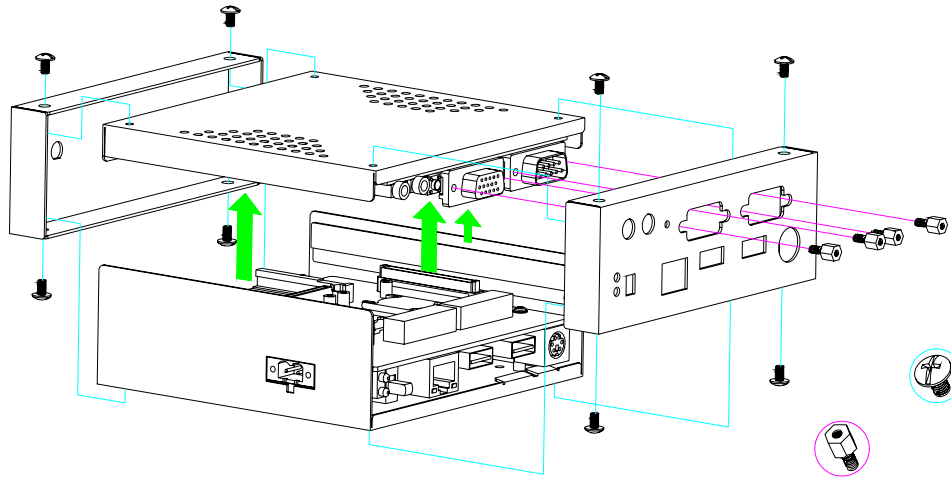
C. LAN LED Indicators (Locate on RJ45)

The LAN port is a RJ45 connector with 2 LEDs. The orange LED indicates data is accessing and the green LED indicates on-line status.

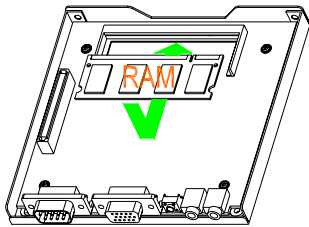
6. Software Configuration and Driver Installation

Please refer to the driver installing documentaion in the included Compact Disc for installing what device driver you need. If you need to change the system settings or configurations of I/O ports, Please refer to User's Manual (also in the included Compact Disc) for details.

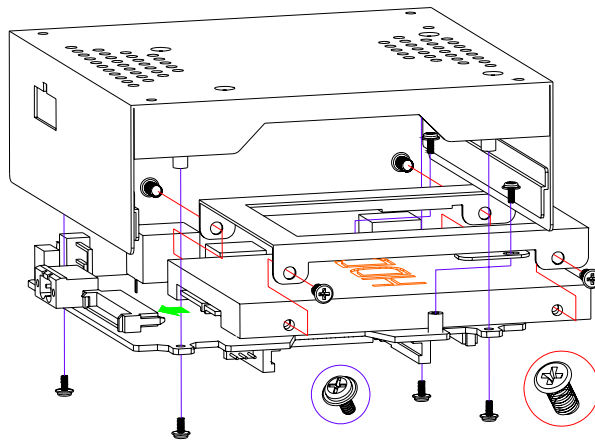
7. Installing 2.5" HDD, DDR RAM, and PCIe mini Card (with SIM & Antenna) into FX5205x



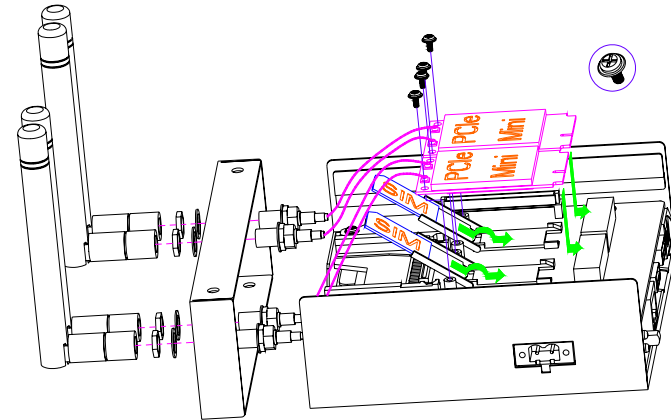
Step 1: Disassemble and separate the FX5205x body. (8+4 screws as shown on the upper figure)



Step 2: Install DDR RAM Module



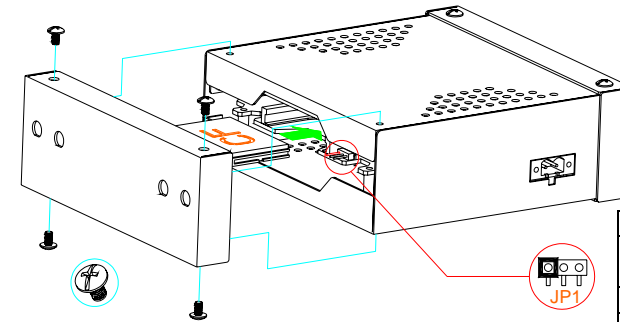
Step 3: Install 2.5" HDD (6+4 screw as shown on the upper figure)



Step 4: Install SIM cards, PCIe mini card modules, and Antennas
(Note that install SIM card before installing PCIe mini card module)

Step 5: Assemble FX5205x body with fix all screws well.

8. Installing the CompactFlash Module on FX5205x (4 screws)



Master/Slave Setting Jumper			
JP1	Compact Flash	SATA HDD	Remark
1-2	Slave	Master	Default
2-3	Master	Slave	

9. Installing the wall-mount fixers on FX5205x

