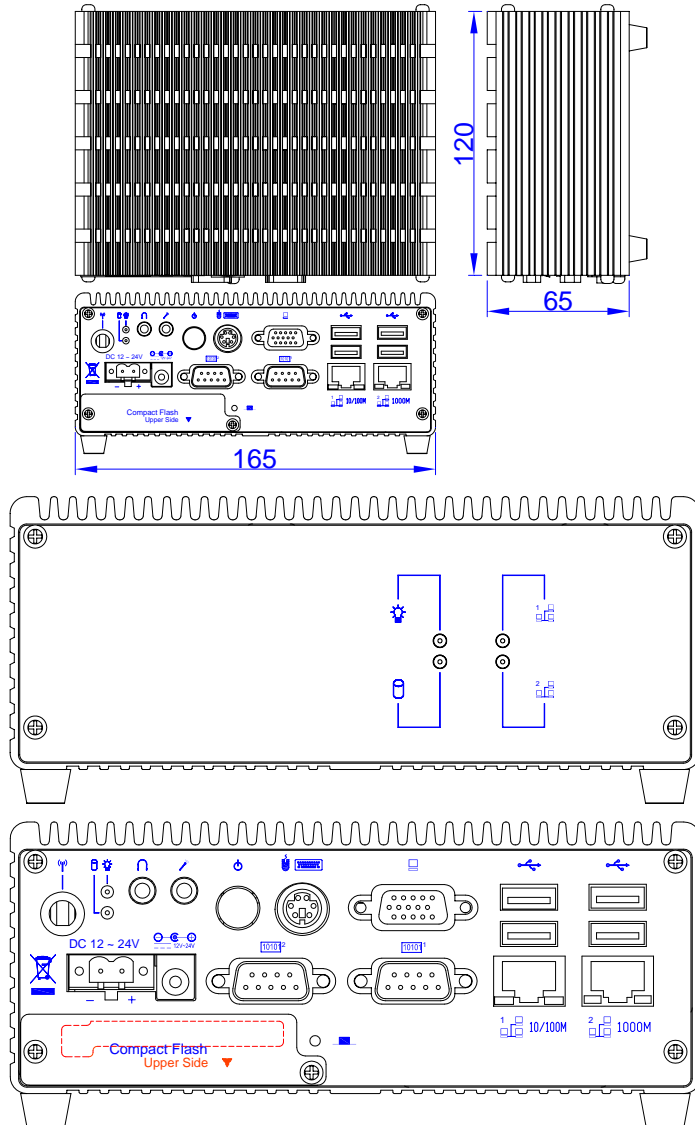


## 1. Brief

The FX5404 is a compact size embedded system with Intel low-power Celeron-M processor board inside. This user's quick reference provides the I/O outlets description and their pin assignment.

## 2. Dimensions (in mm) and Front/Rear Panel Informations



## 3. Packing List

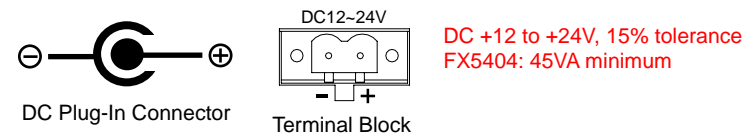
- 1 FX5404x embedded system.
- 1 AC to DC power adapter and 1 AC power code cable.
- 1 Y-type (3-end) PS/2 keyboard plus mouse port adapter cable.
- 1 44-pin flat cable and 4 screws for fixing and connecting a 2.5" hard disk drive.
- 1 2-pin apartable terminal block and **optional** 2 L-type universal fixers and 6 screws.
- 1 compact disc includes software utilities and manuals.

## 4. Features

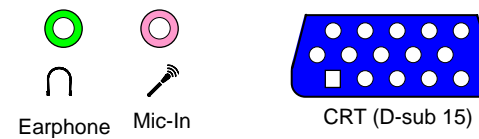
- \* **Processor Board**  
Intel low power Celeron-M processor with 512MB DDR RAM.
- \* **I/O Outlets**  
One 10/100 and one 10/100/1000 base-TX Ethernet ports.  
4 USB ports (V2.0) and 2 RS-232 serial ports.  
1 VGA (CRT) and 1 PS/2 compatible keyboard/mouse interface.  
1 Earphone and 1 Microphone connectors.  
1 mini-PCI socket for mini-PCI I/O modules, especially for WLAN modules.  
1 DC-In plug connector and 1 terminal block with 1 power switch.  
1 power LED, 1 HDD/CF access LED, and 2 LAN LEDs.  
1 Push button reset switch.
- \* **Storage Bay**  
1 CompactFlash socket for CompactFlash modules or MicroDrives.  
One 2.5" hard disk space.
- \* **Power requirement**  
FX5404: +12 ~ +24V DC with 15% tolerance, 25VA maximum with 2.5" HDD & 19V input voltage.
- \* **Dimensions**  
120mm(D) x 165mm(W) x 65mm(H)

## 5. I/O outlets and LED Indicators

### A. Power Connectors

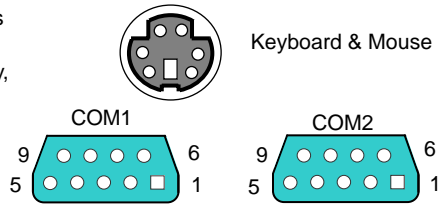


### B. CRT and Audio Connectors

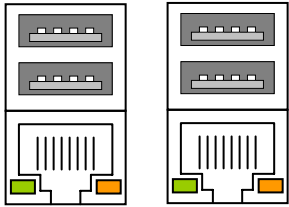


### C. Keyboard/ Mouse and Serial Port Connectors

Standard PS/2 keyboard can be plugged into this connector without any adapter cable. If PS/2 keyboard and mouse will be used simultaneously, the included Y-type adapter cable is needed.



### D. USB/LAN Connectors and LED Indicators (RJ45)



The LAN port is a RJ45 connector with 2 LEDs. The right side LED (orange) indicates data is accessing and the left side LED (green) indicates on-line status. (When lighted indicates on-line and off indicates off-line)

PWR ● LAN1  
 HDD ● LAN2

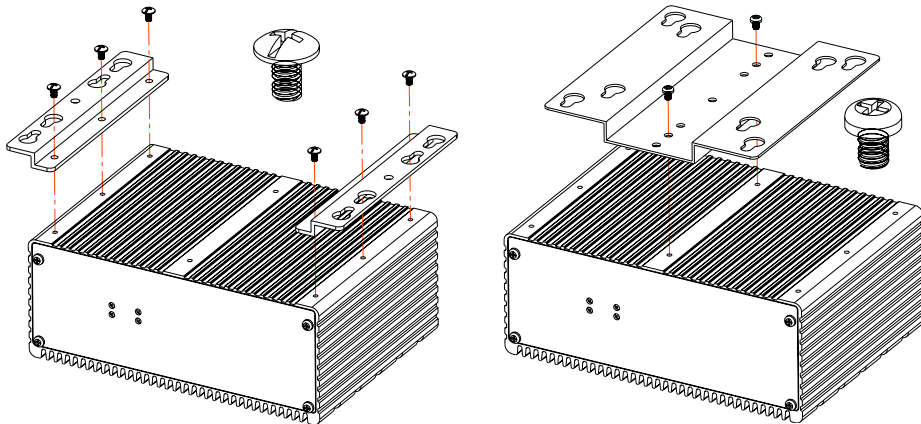
Note: LAN1 and LAN2 LEDs indicate on-line/access status of LAN #1 and LAN #2 respectively.

### 6. Software Configuration and Driver Installation

Please refer to the driver installing documentaion in the included Compact Disc for installing what device driver you need. If you need to change the system settings or configurations of I/O ports, Please refer to User's Manual (also in the included Compact Disc) for details.

### 7. Installing the L-type universal fixers on FX5404

Left: Installing the FX5404 with optional wall-mounted universal fixers (FX5404K1).  
Right: Installing the FX5404 with optional FX5504K1 universal fixers for LCD panel back-mounted.



### 8. Installing/Changing 2.5" HDD and RAM Module on FX5404x

