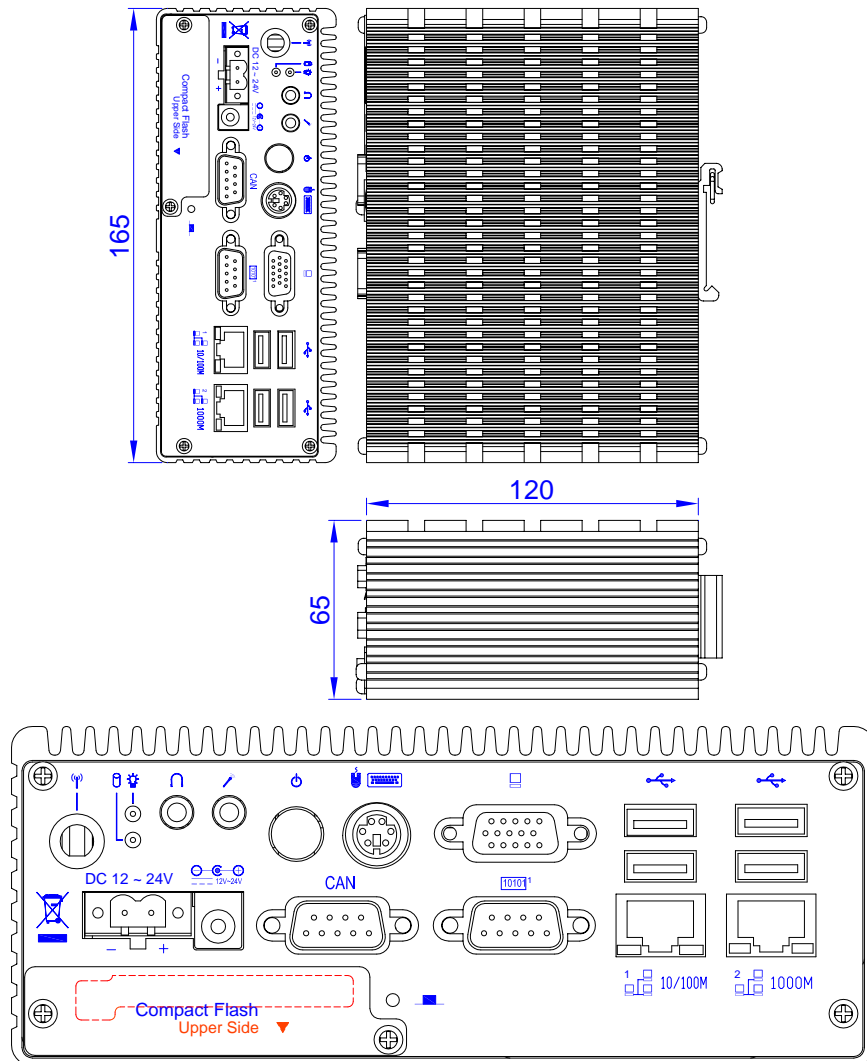


## 1. Brief

The FX5405x is a compact size embedded system with Din-Rail mounting and Intel low-power Celeron-M processor board inside. This user's quick reference provides the I/O outlets description and their pin assignment.

## 2. Dimensions (in mm) and Rear Panel Informations



## 3. Packing List

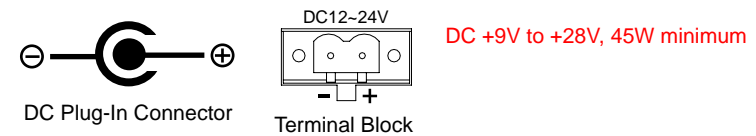
- 1 FX5405x embedded system.
- 1 Y-type (3-end) PS/2 keyboard plus mouse port adapter cable.
- 1 44-pin flat cable and 4 screws for fixing and connecting a 2.5" hard disk drive.
- 1 2-pin apartable terminal block **optional** 2 L-type universal fixers and 6 screws..
- 1 pack of Din-Rail installation kit with screws.
- 1 compact disc includes software utilities and manuals.

## 4. Features

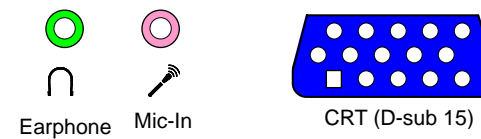
- \* **Processor Board**  
Intel low power Celeron-M processor with 512MB DDR RAM.
- \* **I/O Outlets**  
One 10/100 and one 10/100/1000 base-TX Ethernet ports.  
4 USB ports (V2.0), 1 RS-232 serial port, and 1 CAN bus port.  
1 VGA (CRT) and 1 PS/2 compatible keyboard/mouse interface.  
1 Earphone and 1 Microphone connectors.  
1 mini-PCI socket for mini-PCI I/O modules, especially for WLAN modules.  
1 DC-In plug connector and 1 terminal block with 1 power switch.  
1 power LED and 1 HDD/CF access LED.  
1 power button and 1 reset button.
- \* **Storage Bay**  
1 CompactFlash socket for CompactFlash modules or MicroDrives.  
One 2.5" hard disk space.
- \* **Power requirement**  
FX5405: +9V DC (4A) ~ +28V DC (1.3A) with full loading.
- \* **Dimensions**  
120mm(D) x 165mm(W) x 65mm(H)

## 5. I/O outlets and LED Indicators

### A. Power Connectors

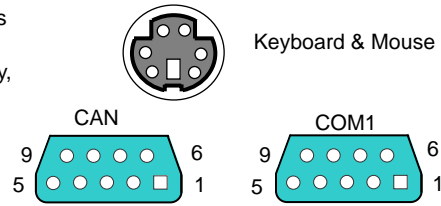


### B. CRT and Audio Connectors

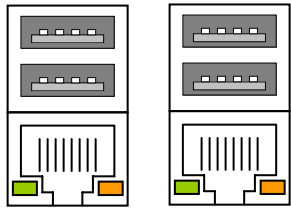


### C. Keyboard/ Mouse and Serial Port Connectors

Standard PS/2 keyboard can be plugged into this connector without any adapter cable. If PS/2 keyboard and mouse will be used simultaneously, the included Y-type adapter cable is needed.



### D. USB/LAN Connectors and LED Indicators (RJ45)



The LAN port is a RJ45 connector with 2 LEDs. The right side LED (orange) indicates data is accessing and the left side LED (green) indicates on-line status. (When lighted indicates on-line and off indicates off-line)

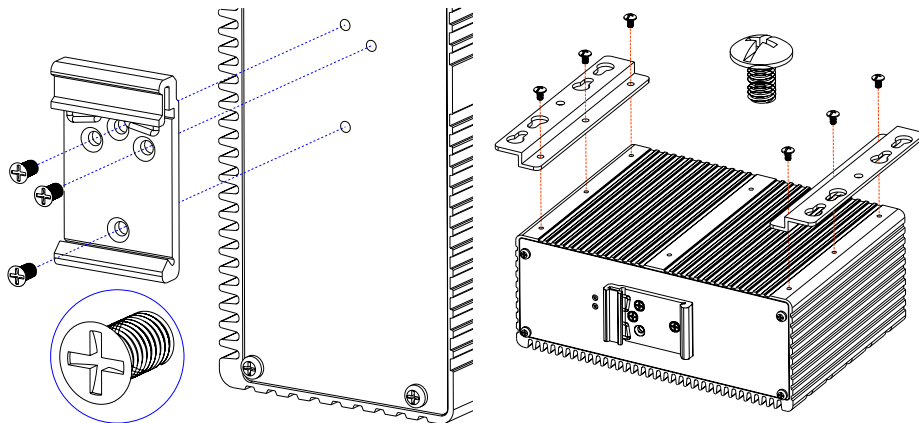
- Power LED
- HDD/CF Access LED

### 6. Software Configuration and Driver Installation

Please refer to the driver installing documentaion in the included Compact Disc for installing what device driver you need. If you need to change the system settings or configurations of I/O ports, Please refer to User's Manual (also in the included Compact Disc) for details.

### 7. Installing the L-type universal fixers on FX5405x

Left: Installing the FX5405x with Din-Rail holder.  
 Right: Installing the FX5405x with optional wall-mounted universal fixers (FX5404K1)



### 8. Installing/Changing CompactFlash, 2.5" HDD, Antenna, and RAM Module on FX5405x

