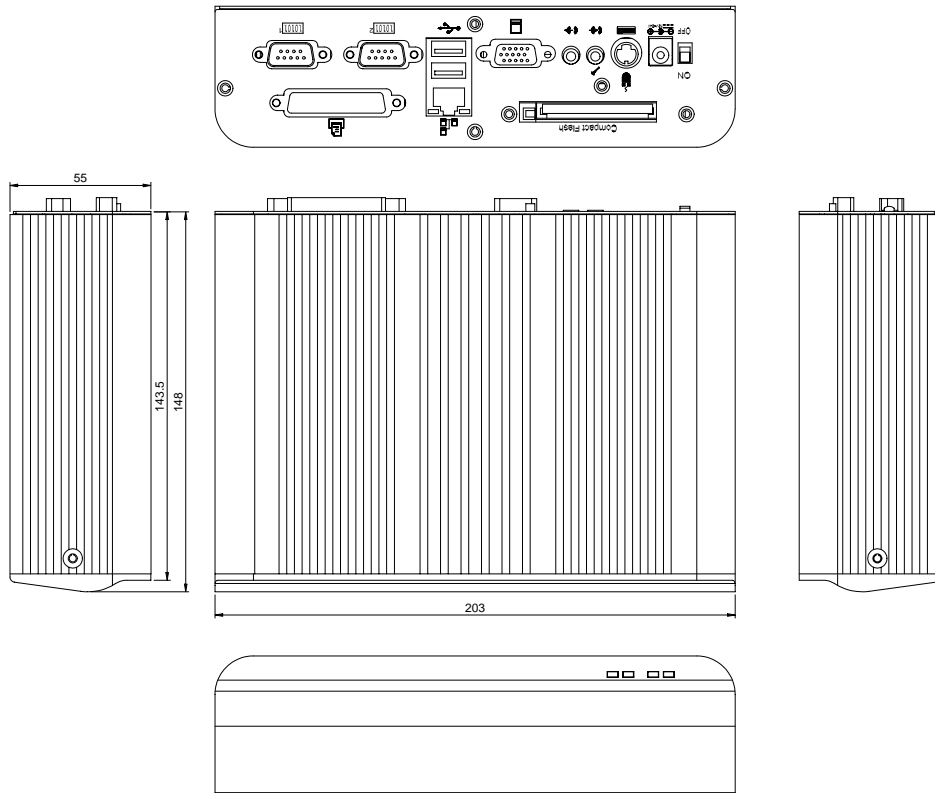


1. Brief

The FX5501 is a compact size embedded system with low-power VIA Eden CPU module inside. This user's quick reference provides the I/O outlets description and their pin assignment.

2. Dimensions (in mm)



3. Packing List

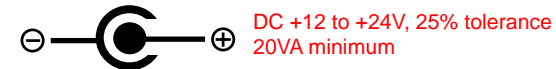
- 1 FX5501 embedded system.
- 1 AC to DC24V power adapter and 1 AC power code.
- 1 Y-type (3-terminal) PS/2 keyboard plus mouse port adapter cable.
- 1 pack of 2.5" hard disk installation guiders with 4 fixed screws
- 1 compact disc includes software utility.
- 1 hard copies of this quick reference.

4. Features

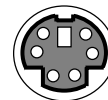
- * **Processor Board**
733 MHz low power VIA Eden CPU with 256MB SDRAM.
- * **I/O Outlets**
1 100/10 base-TX Ethernet port.
2 USB ports, 2 RS-232 serial ports, and 1 parallel port.
1 CRT and 1 PS/2 compatible keyboard/mouse interface.
1 Audio Line-In/microphone and 1 Audio Line-Out ear-jet connectors.
1 DC-In plug connector with power switch.
1 power LED, 1 HDD/CF access LED, and 2 LAN LEDs.
- * **Storage Bay**
1 CompactFlash slot with ejector.
One 2.5" hard disk space.
- * **Power requirement**
+12 ~ +24V DC with 25% tolerance, 16VA maximum.
- * **Dimensions**
148mm(D) x 203mm(W) x 55mm(H)

5. I/O outlets and LED Indicators

A. Power Connector

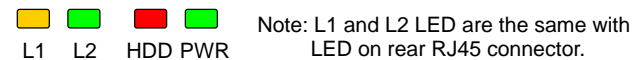


B. Keyboard and Mouse Connector (6-pin mini-DIN, Female)

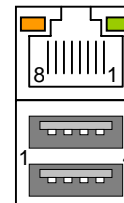


Standard PS/2 keyboard can be plugged into this connector without any adapter cable. If PS/2 keyboard and mouse will be used simultaneously, an Y-type (3-terminal) adapter cable is needed.

C. LED Indicators (On the front panel)

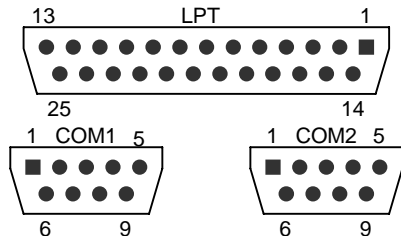


D. LAN and USB Connectors (CN1: RJ45+2 USB)

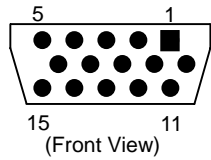


These connectors are all standard LAN and USB connectors. The LAN port is a RJ45 connector with 2 LEDs. The left side LED (orange) indicates data is accessing and the right side LED (green) indicates on-line status. (When lighted indicates on-line and off indicates off-line)

E. Serial Port and Parallel Port Connectors (9-pin Male D-sub and 25-pin Female D-sub)

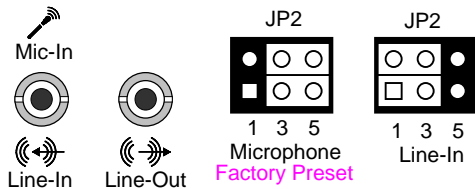


F. CRT Connector (15-pin D-sub, Female)



Pin 1: Red	Pin 12: DDC Data
Pin 2: Green	Pin 15: DDC Clock
Pin 3: Blue	Pin 5 & 10: Digital Ground
Pin 13: Hsync	Pin 6,7,8: Analog Ground
Pin 14: Vsync	Others: Not Used

G. Audio Connectors and Select Jumper (JP2 on FB4650 based board)



Note: Use the JP2 (located at FB4650 based board inside the FX5501 box) to select Microphone or Line-In for left side Audio connector.

H. IDE HDD Connector (CN11 on FB4650 based board)

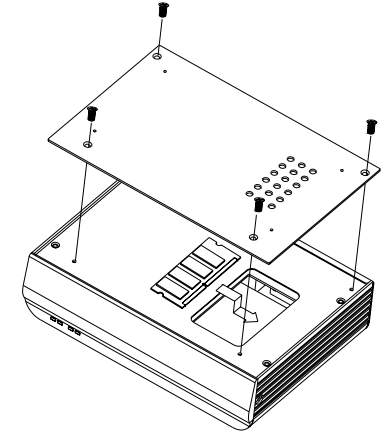
CN11 is used to connect a 2.5" HDD directly. Please set the proper Master/Slave device for HDD in order to not conflict with CompactFlash slot.

6. Software Configuration and Driver Installation

Please refer to the driver installing documentaion in the included Compact Disc for installing what device driver you need. If you need to change the system settings or configurations of I/O ports, Please refer to the User's Manual (also in the included Compact Disc) for details.

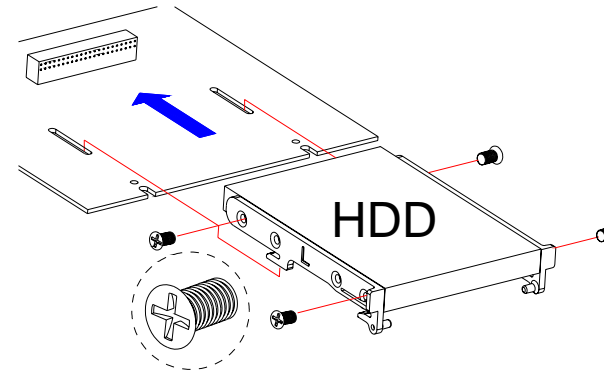
7. Changing the SoDIMM on FX5501

The figure on the right side will guide you how to change the SoDIMM for the FX5501 system.



8. Installing/Ejecting 2.5" HDD into/from FX5501

The following figure will guide you how to install 2.5" HDD with guiders and plug into the FX5501.



To eject the 2.5" hard disk, please refer the following steps:

- Step 1: Open the front cover as shown on left-down figure.
- Step 2: Use I-type screw driver or equivalent as shown on right-down figure and push ahead to eject the hard disk with guiders

