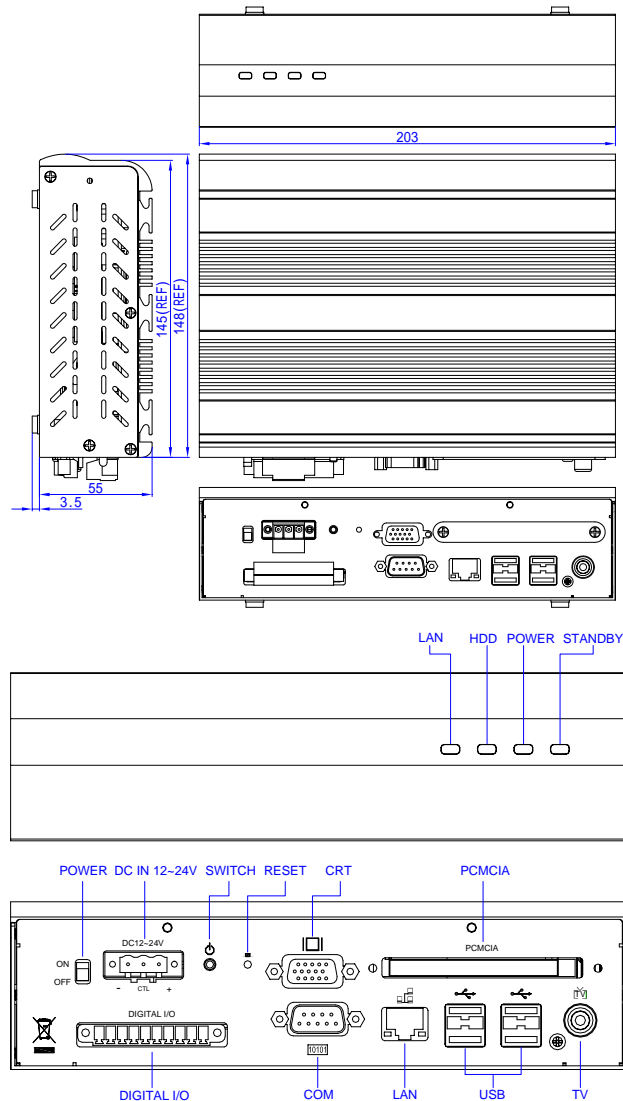


1. Brief

The FX5505x is a compact size embedded system with Intel low-power Celeron-M or Pentium-M processor board inside. This user's quick reference provides the I/O outlets description and their pin assignment.

2. Dimensions (in mm) and Front/Rear Panel Information



3. Packing List

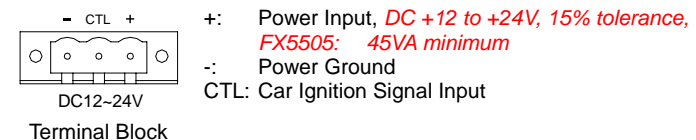
- 1 FX5505x embedded system.
- 1 44-pin flat cable and 4 screws for fixing and connecting a 2.5" hard disk drive.
- 1 3-pin pluggable terminal block (0.2" pitch) for power and car ignition signal inputs.
- 1 10-pin pluggable terminal block (0.15" pitch) for I/O signal inputs.
- 1 compact disc includes software utilities and manuals.

4. Features

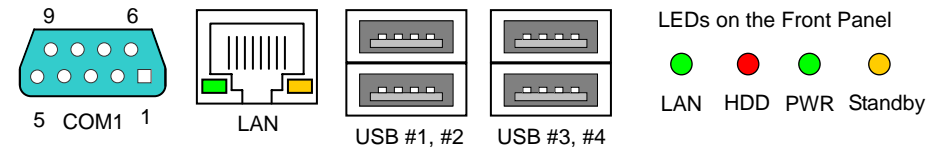
- * **Processor Board**
Intel low power Celeron-M 600MHz processor (FX5505) with 512MB DDR RAM.
- * **I/O Outlets**
One 10/100 base-TX Ethernet, 1 VGA (CRT), and 1 TV-out connectors.
4 USB ports (V2.0) and 1 RS-232 serial port.
1 Audio line-in, 1 Audio line-out, and 1 Microphone connectors.
1 PCMCIA socket for card bus I/O modules, especially for WLAN/GSM/GPRS modules.
1 3-pin terminal block for power and 1 10-pin terminal block for I/O signals
1 push button power switch and 1 push button reset switch.
1 power LED, 1 standby LED, 1 HDD/CF access LED, and 1 LAN LED.
- * **Storage Bay**
1 CompactFlash socket for CompactFlash modules or MicroDrives.
One 2.5" hard disk space.
- * **Power requirement**
FX5505: +12 ~ +24V DC with 15% tolerance, 28VA maximum with 2.5" HDD & 19V input voltage.
- * **Dimensions**
148mm(D) x 203mm(W) x 55mm(H)

5. I/O outlets and LED Indicators

A. Power and ACC Signal Connector (3-pin 0.2" Terminal Block)

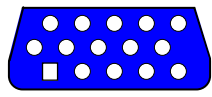


B. USB, Serial Port, and LAN Connectors



The right side LAN LED (orange) indicates data is accessing and the left side LAN LED (green) indicates on-line status. (When lighted indicates on-line and off indicates off-line)

C. CRT, TV-Out, and Audio Connectors



CRT (D-sub 15)



Video-Out (NTSC/PAL)



Line-Out

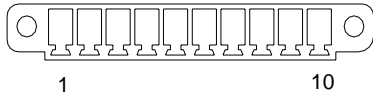


Line-In



Mic-In

D. I/O Signals Connector (10-pin 0.15" Terminal Block)



- Pin 1: Common of Digital Output for Inductor Loads
- Pin 2: Digital Input #1
- Pin 3: Digital Input #2
- Pin 4: Digital Input #3
- Pin 5: Digital Input #4
- Pin 6: Common Ground of Digital Inputs and Outputs
- Pin 7: Digital Output #1
- Pin 8: Digital Output #2
- Pin 9: Digital Output #3
- Pin 10: Digital Output #4

Note 1: Digital inputs accept DC 12~24V signal with isolated input.

Note 2: Digital outputs are active-low open collector output, and can drive up to 24V/500mA maximum.

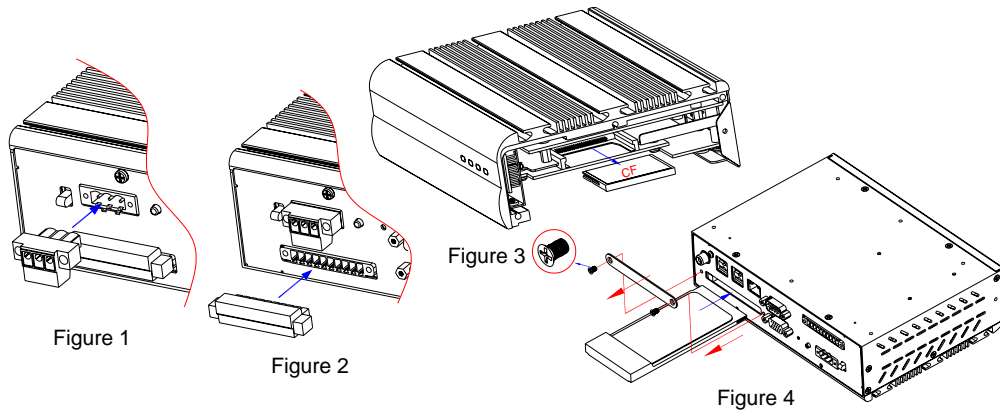
6. Software Configuration and Driver Installation

Please refer to the driver installing documentaion in the included Compact Disc for installing what device driver you need. If you need to change the system settings or configurations of I/O ports, Please refer to User's Manual (also in the included Compact Disc) for details.

7. Installing Terminal Blocks and CF/PCMCIA Modules on FX5505x

Figure 1: Power Terminal Block Installation
Figure 2: I/O Terminal Block Installation

Figure 3: CF Installation.
Figure 4: PCMCIA Module Installation



8. Installing/Changing 2.5" HDD and RAM Module on FX5505x

