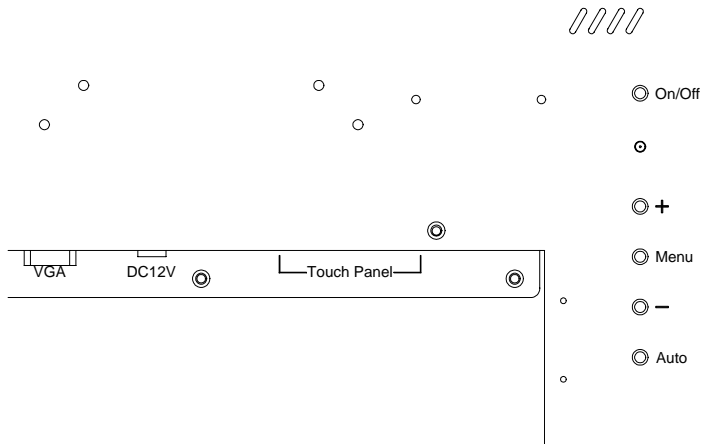
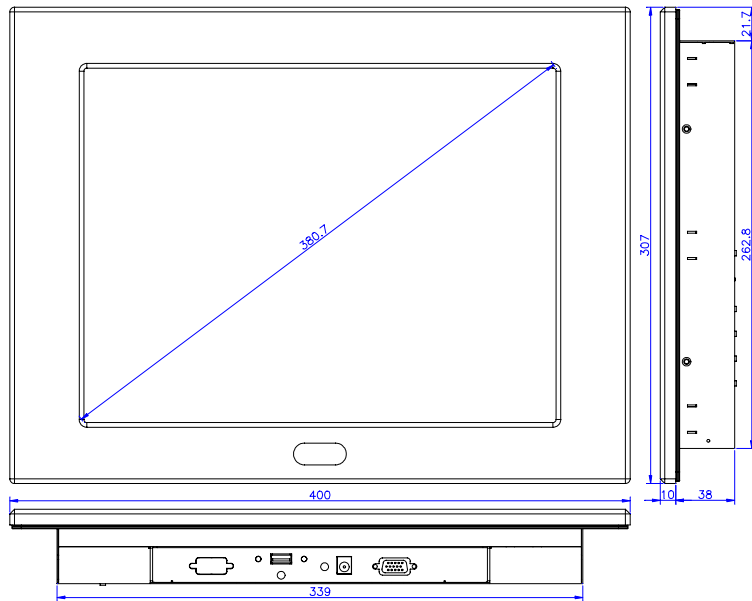


1. Brief

The FD7851x is a 15-inch TFT LCD monitor with OSD and touch screen device (FD7851T). This user's quick reference provides its outlook information and I/O outlets description.

2. Dimensions (in mm) and Rear Panel Information



3. Packing List

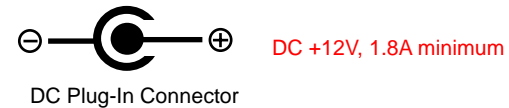
- 1 FD7851x industrial LCD monitor.
- 1 AC to DC12V power adapter and 1 AC power code cable.
- 1 VGA adaptor cable with 1.8M length.
- 1 pack of 6 pair mounting screws
- 1 touch pen and 1 USB adapter cable for touch screen (FD7851T only)
- 1 Compact Disc including user's manual and touch screen drivers.

4. Features

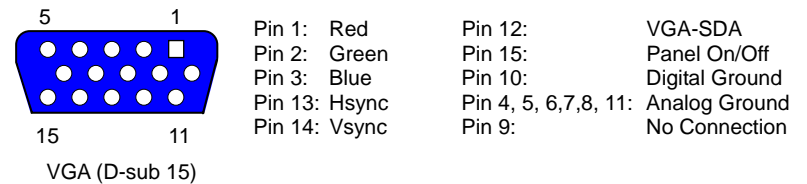
- * Aluminum front panel with 15-inch color TFT LCD panel.
- * Supports up to XGA 1024x768 with 16M colors.
- * Build-in OSD functions with LED indicator and 5 operation keys.
- * 5-wire analog resistive touch screen device with USB interface. (FD7851T only)
- * Power requirement: External 100~240V AC adapter, output +12V DC, 1.5A maximum.
- * Weight: 4.6Kg.
- * Dimensions: 48mm(D) x 400mm(W) x 307mm(H)

5. I/O outlets and LED Indicator

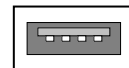
A. Power Connector



B. VGA Connector (15-pin D-sub)



C. Touch Screen Connector (FD7851T only)



Please use the included USB cable to connect this one to USB keyboard connector on CPU boards.

D. LED Indicator (on the rear side)

This LED indicates the status of FD7851x as following:

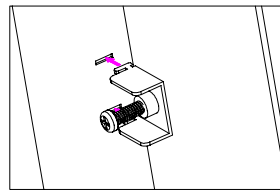
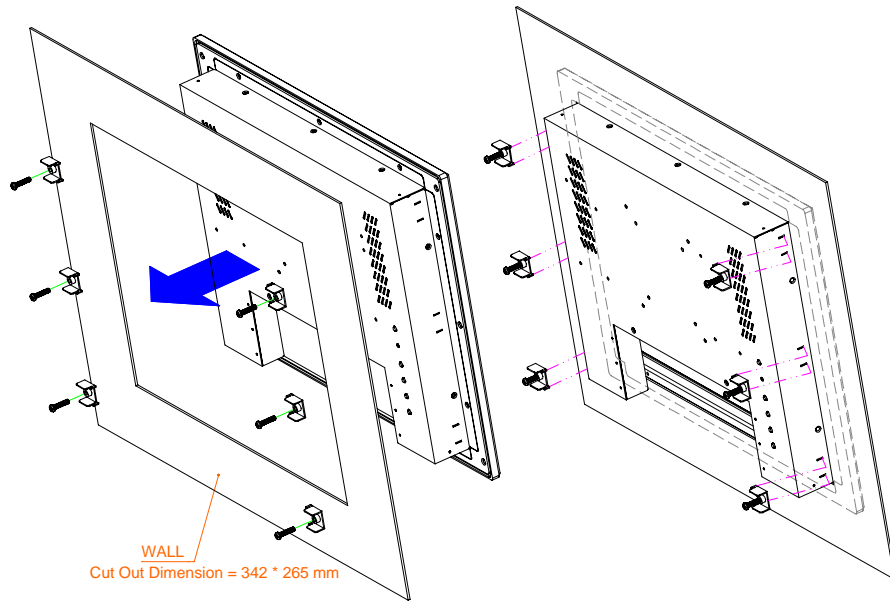
- Green: Normal operation
- Amber: Power saving mode or disconnected signal cable.

6. Installation

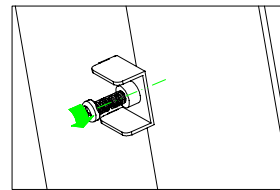
A. Driver Installation (FD7851T only)

Please refer to the driver installing documentaion in the included Compact Disc for installing proper driver to the touch screen device.

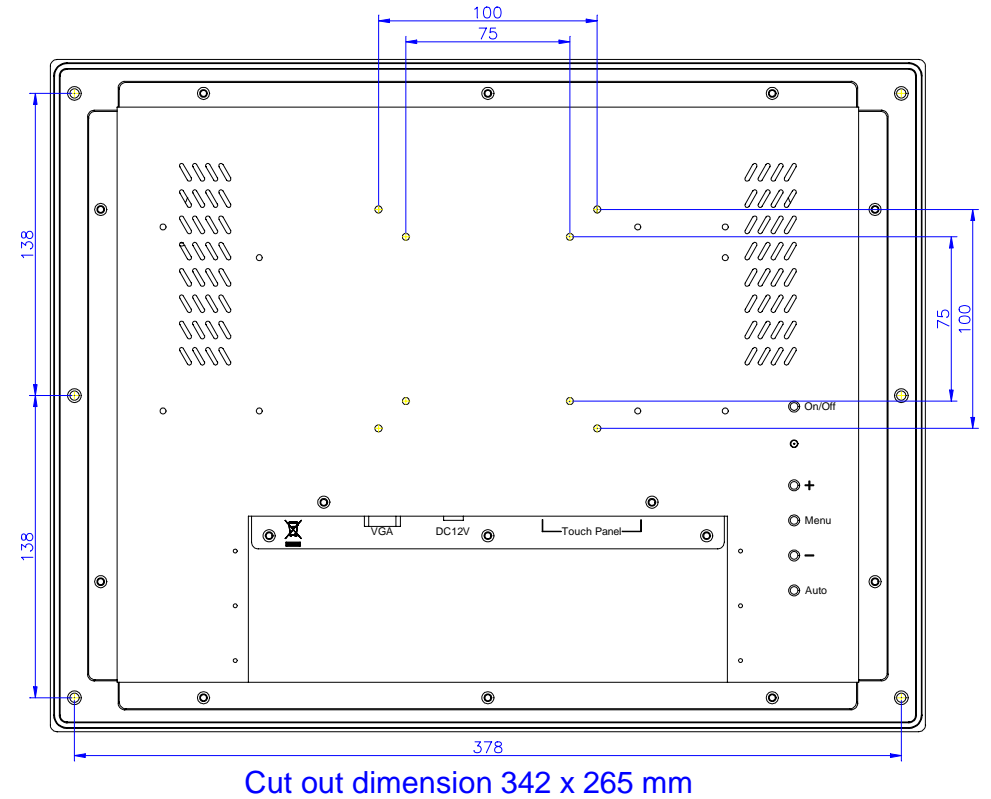
B. Wall Mounting and Mounting Dimensions



Step 1



Step 2



End of Document