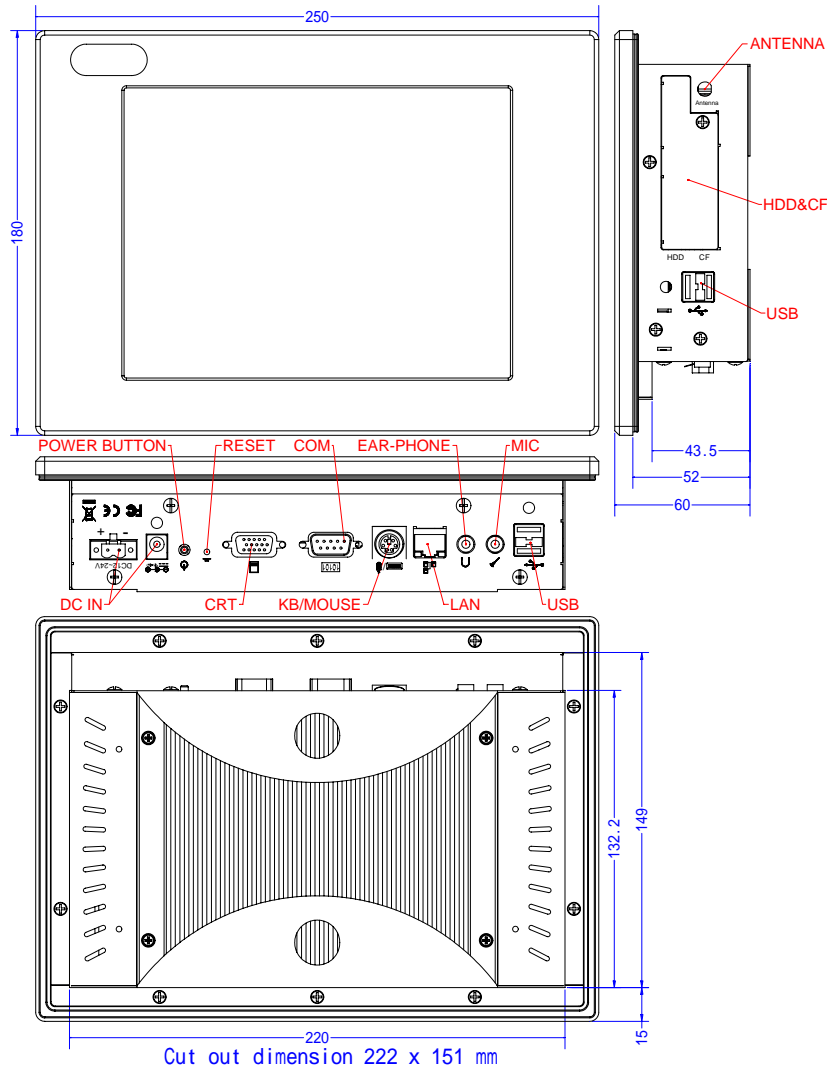


1. Brief

The FP8080x is an 8-inch Panel PC with touch screen device (FP8080xT). This user's quick reference provides its outlook information and I/O outlets description.

2. Dimensions (in mm) and Rear I/O Information



3. Packing List

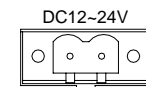
- 1 FP8080x/FP8080xT industrial Panel PC.
- 1 AC to DC19V power adapter and 1 AC power code cable.
- 1 pack of embedded mounting kit with 4 screws.
- 1 pack of wall mounting kit with 5 fixed screws. (FP8080K1, optional)
- 1 pack of Din-rail mounting kit with 11 fixed screws. (FP8080K2, optional)
- 1 pack of 2.5" SATA HDD installing kit with 4 screws.
- 1 touch pen for touch screen (Optional for FP8080T only)
- 1 Compact Disc including user's manual and touch screen drivers.

4. Features

- * **Processor Board**
Intel low power Celeron-M processor with 1GB DDR2 RAM. (2GB Max.)
- * **I/O Outlets**
One 10/100/1000 base-TX Ethernet port.
4 USB ports (V2.0) and 1 RS-232/485 serial port.
1 VGA (CRT) and 1 PS/2 compatible keyboard/mouse interface.
2 Audio connectors for Earphone and Microphone.
1 mini-PCI socket for mini-PCI I/O modules, especially for WLAN modules.
1 DC-In plug connector and 1 terminal block for DC power input.
1 power button and 1 reset button.
- * **Storage Bay**
1 CompactFlash socket for CompactFlash modules or MicroDrives.
One 2.5" SATA hard disk space.
- * **Power requirement**
+12 ~ +24V DC, **1.73A** maximum (**1.03A** typical) with 19V input voltage.
- * **Mechanical**
Dimensions: **60mm(D) x 250mm(W) x 180mm(H)**
Weight: **3.3Kg.**(Standard packing)
Approval: IP65 Compliant.

5. I/O outlets and LED Indicator

A. Power Connectors

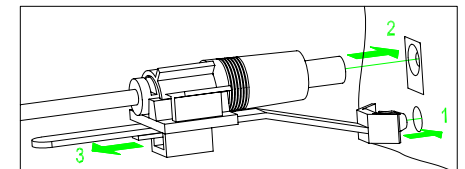


Terminal Block

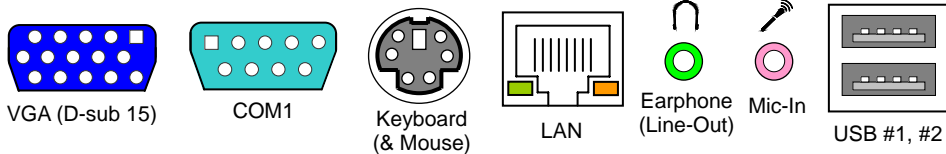


DC Plug-In Connector

DC +12V to +24V, 42W minimum

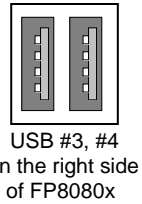


B. VGA, Serial port, Keyboard/Mouse, LAN, Audio, and USB Connectors



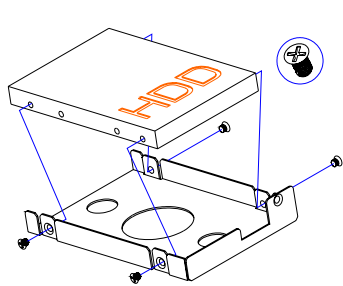
Note 1: Standard PS/2 keyboard can be plugged into this connector without any adapter cable. If PS/2 keyboard and mouse will be used simultaneously, an optional Y-type adapter cable is needed.

Note 2: The LAN port is a RJ45 connector with 2 LEDs. The orange LED indicates data is accessing and the green LED indicates on-line status. (When lighted indicates on-line and off indicates off-line)

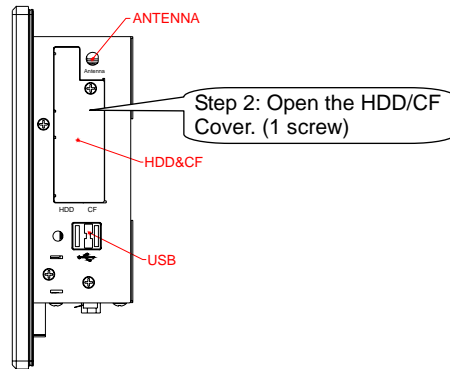


6. Installation

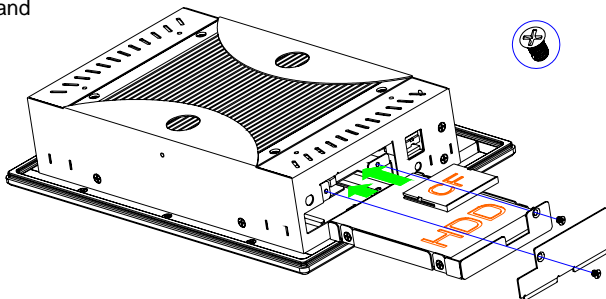
A. Installing CompactFlash and 2.5" Hard Disk



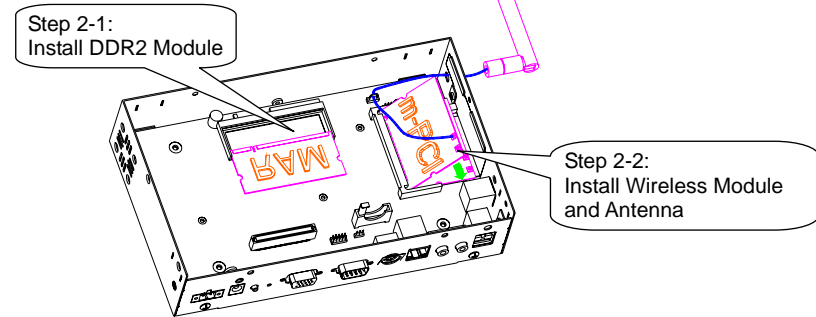
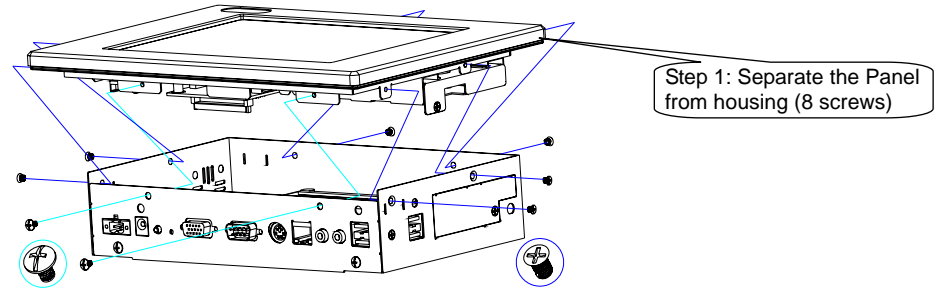
Step 1: Install 2.5" HDD into the HDD kit.



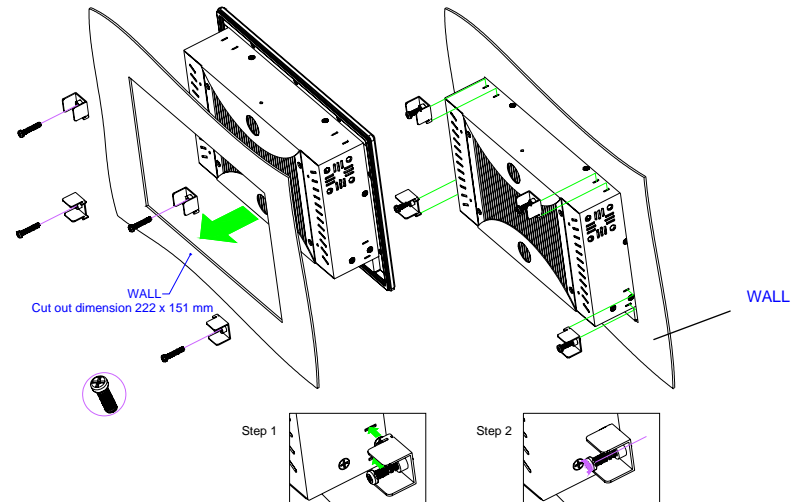
Step 3: Install HDD into the HDD dock.
Step 4: Install CF into the CF socket.
Step 5: Close the HDD/CF cover and fasten the screw.



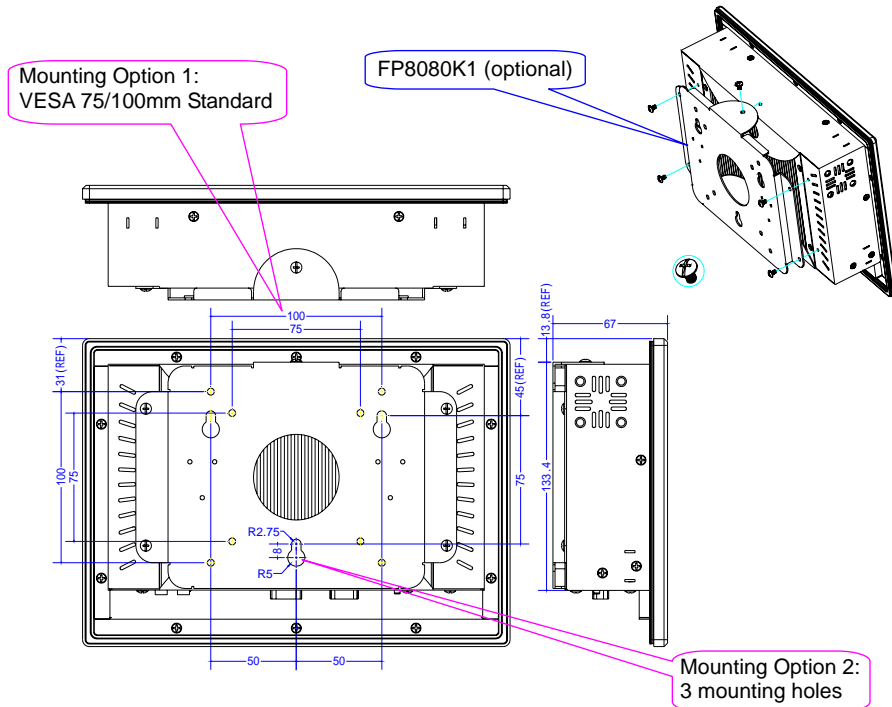
B. Installing DDR2 Modules and mini PCI WLAN Modules



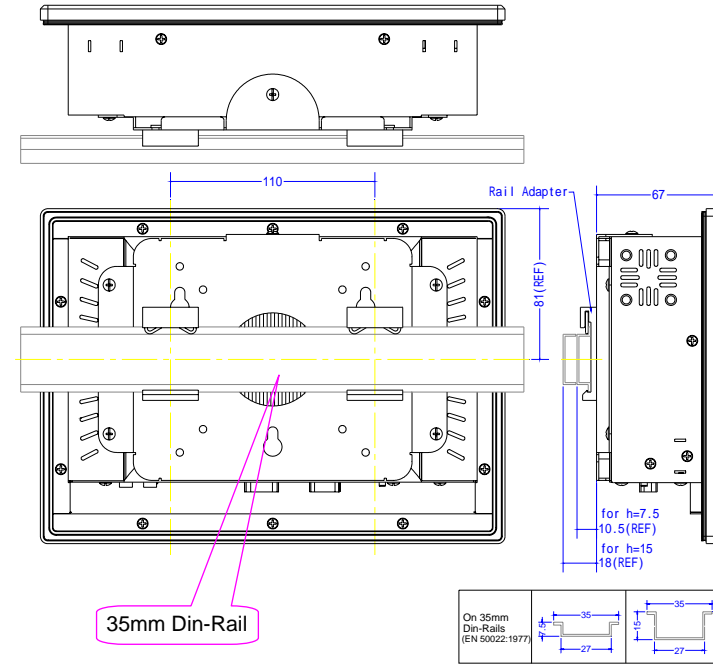
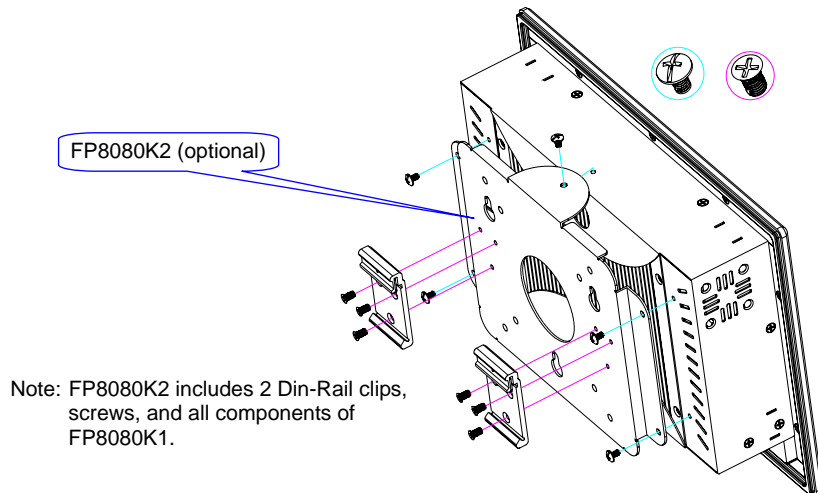
C. Embedded Mounting and Mounting Dimensions



D. Wall Mounting and Mounting Dimensions



E. Din-Rail Mounting and Mounting Dimensions



End of Document