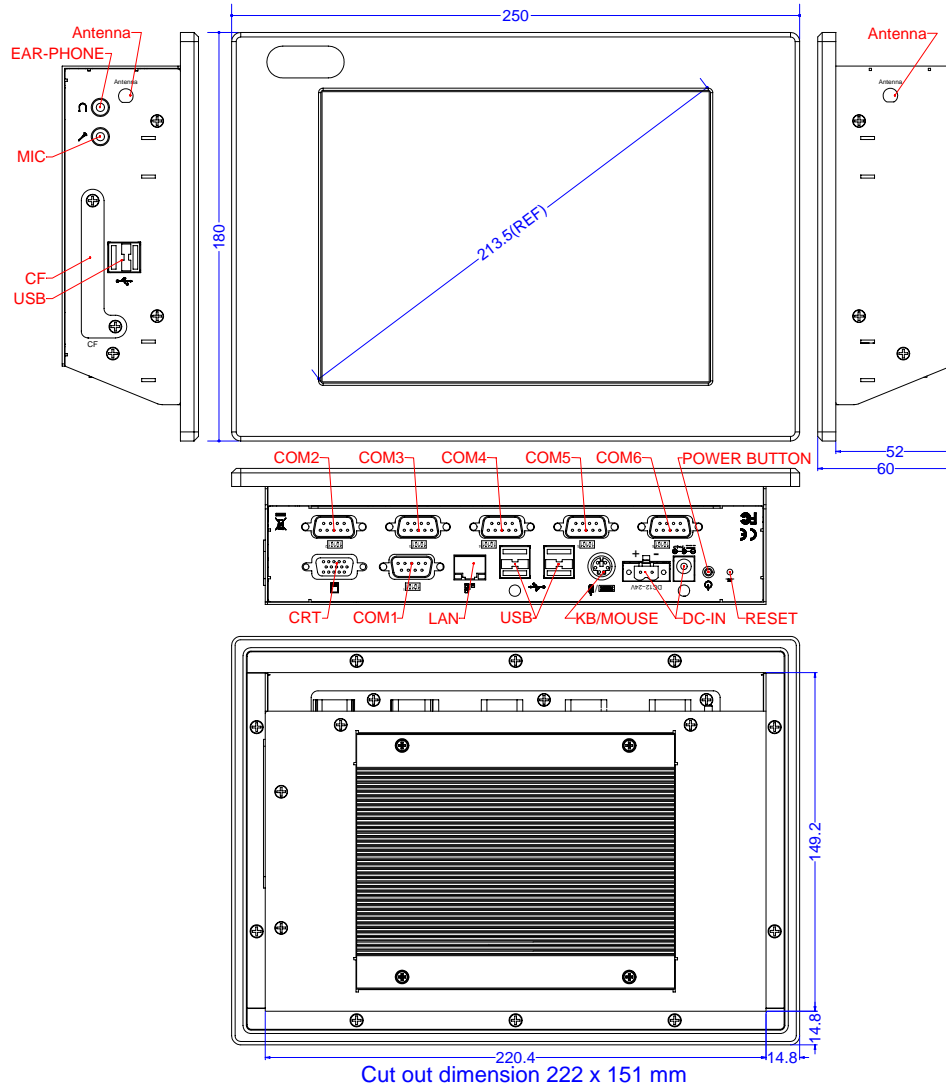


1. Brief

The FP8082x is an 8-inch Panel PC with touch screen device (FP8082xT). This user's quick reference provides its outlook information and I/O outlets description.

2. Dimensions (in mm) and Rear I/O Information



3. Packing List

A. Standard Items

- 1 FP8082T industrial Panel PC.
- 1 AC to DC19V power adapter and 1 AC power cord cable.
- 1 pack of accessories including touch pen and embedded mounting kits.
- 1 2-pin apartable terminal block.
- 1 compact disc includes software utilities and manuals.

B. Optional Items

- 1 Y-type (3-end) PS/2 keyboard plus mouse port adapter cable. (P/N: 7003000008G)
- Half size mini PCIe module adapter kit (AK1006, 1 piece of metal with 2 screws, P/N: 0606010028G)
- Din-Rail mounting kit (FP8081K1, P/N: 0606010026G, 2 pieces of metal with 6 fixed screws)

4. Features

* Processor Board

Intel® Atom™ N270 (1.6GHz, 512KB L2, FSB 533MHz, 2.5 Watts) processor with 1GB DDR2 RAM. (2GB Max.)

* I/O Outlets

- One 10/100/1000 base-TX Ethernet port.
- 6 USB ports (V2.0), 1 RS-232/422/485, and 5 RS-232 serial ports.
- 1 VGA (CRT) and 1 PS/2 compatible keyboard/mouse interface.
- 2 Audio connectors for Earphone and Microphone.
- 1 mini PCIe socket and 1 SIM card holder for WLAN/GSM applications.
- 1 DC-In plug connector and 1 terminal block for DC power input.
- 1 power button and 1 reset button.

* Storage Bay

- 1 CompactFlash socket for CompactFlash modules or MicroDrives.
- One 2.5" SATA hard disk space.

* Power requirement

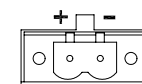
+12 ~ +24V DC, 2.6A maximum (1.36A typical) with 19V input voltage.

* Mechanical

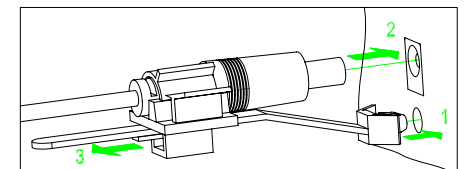
Dimensions: 60mm(D) x 250mm(W) x 180mm(H)
Weight: 3.0Kg. (Standard packing)
Approval: IP65 (Pending)

5. I/O outlets and LED Indicator

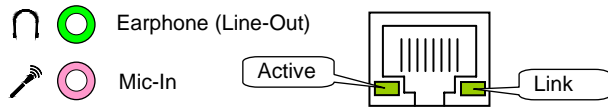
A. Power Connectors



DC +12V to +24V, 58W minimum



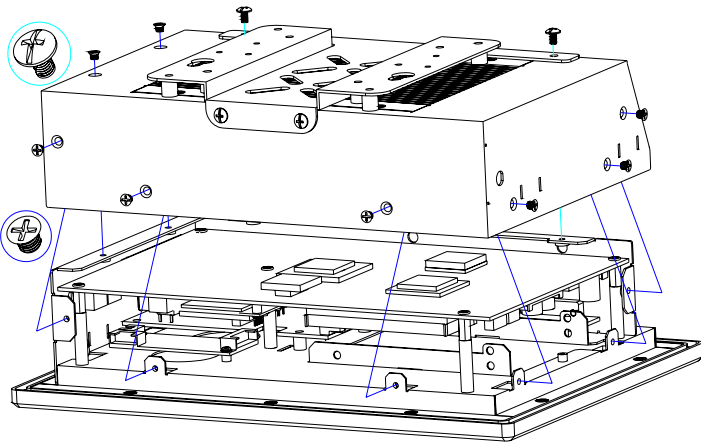
A. Audio Connectors (Located on the left side), Keyboard/Mouse, VGA, Serial port, LAN, and USB Connectors



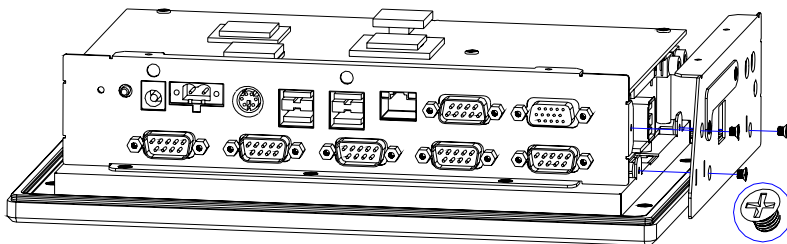
Note : Standard PS/2 keyboard can be plugged into this connector without any adapter cable. If PS/2 keyboard and mouse will be used simultaneously, an optional Y-type adapter cable is needed.

6. Installation

A. Installing 2.5" Hard Disk, DRAM Module, Mini PCIe/SIM Card Module, and Antenna



Step 1: Separate the back cover from housing. (10 screws)



Step 2: Separate the left side cover from housing. (3 screws)

Step 3: Separate the I/O cover from housing (3 screws and 14 hexagonal screws)

Step 5: Install the 2.5" HDD. (2 screws and without cable)

Step 4: Separate the main board from housing (5 screws)

Step 6: Install the SIM card before installing mini PCIe module if necessary

Step 8: Install the mini PCIe module (2 screws)

Step 7: Installing half-size mini PCIe adapter for half size modules

Note: Note that half size mini PCIe module adapter kit (AK1006) is optional item.

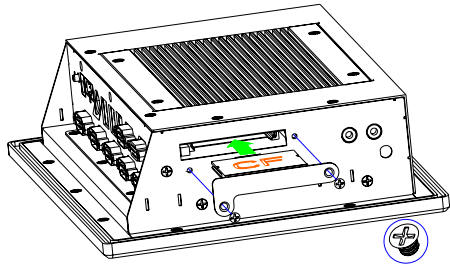
Step 9: Install the Antenna and connects to mini PCIe module with cable.

Step 10: Install/Change the DDR2 RAM module.

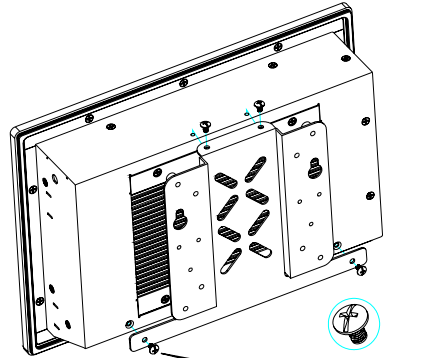
Step 11: Close the housing with reverse procedures of open the housing.

Caution: Please do not touch the surface of thermal pads and avoid to remove them from chipsets.

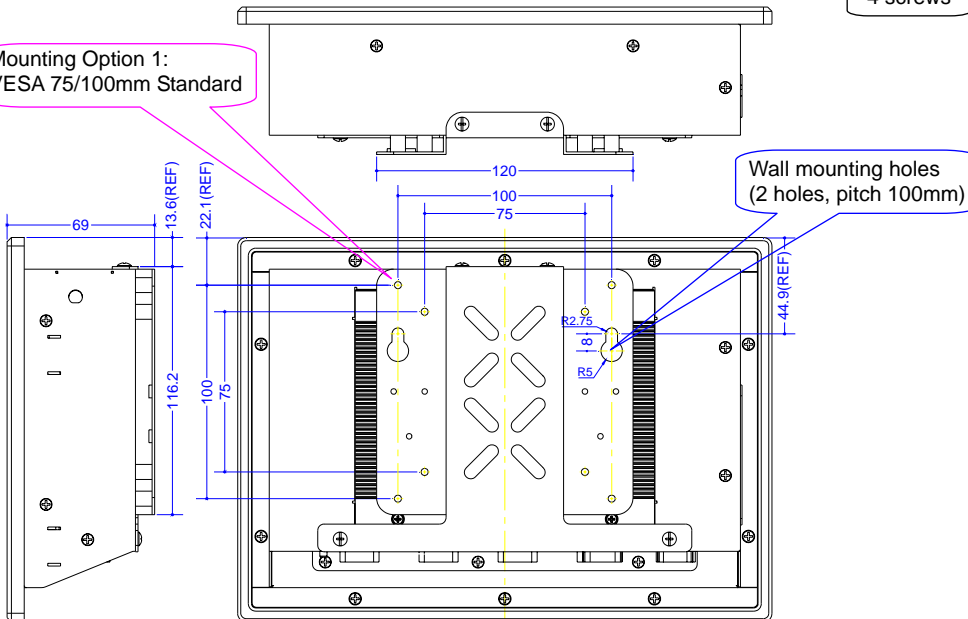
B. Install CompactFlash Module to FP8082T (2 screws)



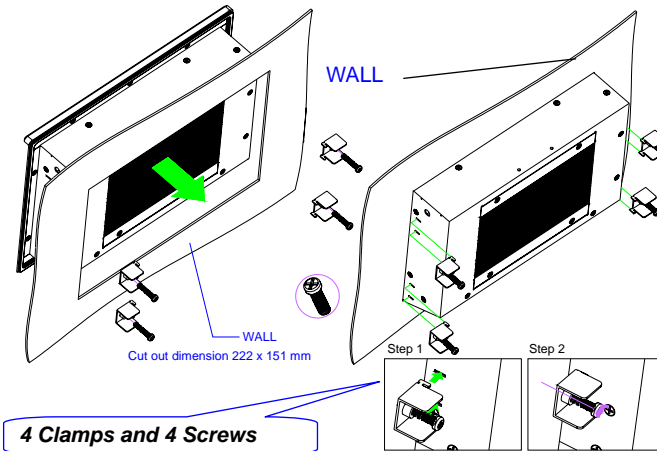
C. Wall Mounting and Mounting Dimensions



Mounting Option 1:
VESA 75/100mm Standard



D. Embedded Mounting and Mounting Dimensions



E. Din-Rail Mounting with Din-Rail Mounting Kit (FP8081K1, Optional)

