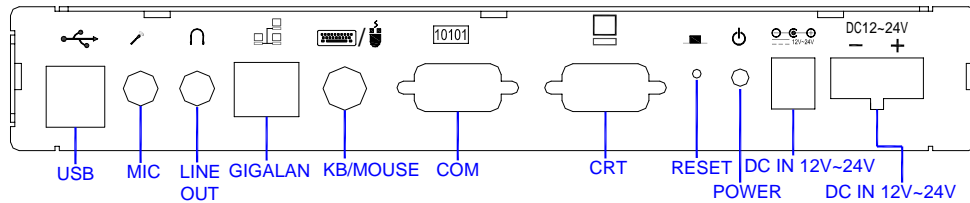
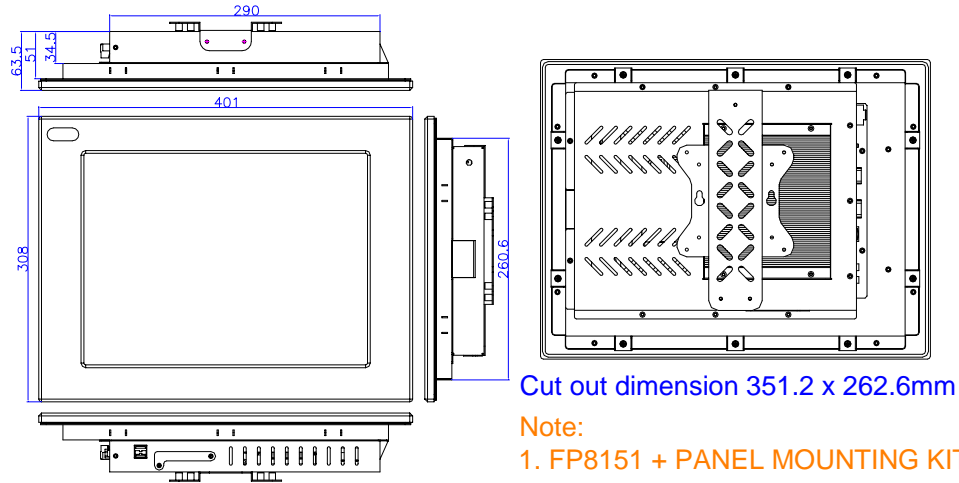


1. Brief

The FP8151x is an 15-inch Panel PC with touch screen device (FP8151xT). This user's quick reference provides its outlook information and I/O outlets description.

2. Dimensions (in mm) and Rear I/O Information



3. Packing List

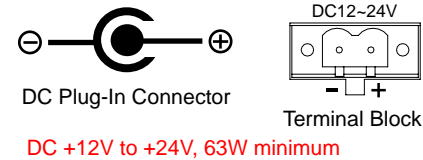
- 1 FP8151x/FP8151xT industrial Panel PC.
- 1 65W AC to DC19V power adapter and 1 AC power code cable.
- 1 Y-type (3-end) PS/2 keyboard plus mouse port adapter cable.
- 1 pack of embedded mounting kit with 4 screws.
- 1 pack of 2.5" SATA HDD installing kit with 4 screws.
- 1 touch pen for touch screen (Optional for FP8151T only)
- 1 Compact Disc including user's manual and touch screen drivers.

4. Features

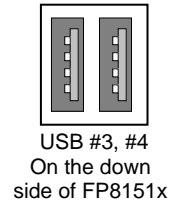
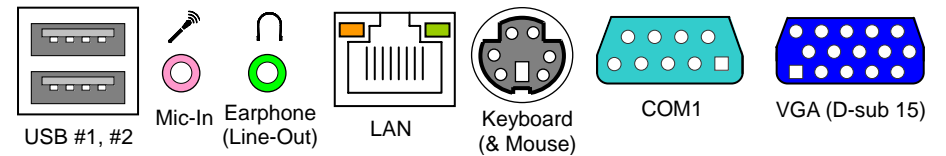
- * **Processor Board**
Intel low power Celeron-M processor with 1GB DDR2 RAM. (2GB Max.)
- * **I/O Outlets**
One 10/100/1000 base-TX Ethernet port.
4 USB ports (V2.0) and 1 RS-232/485 serial port.
1 VGA (CRT) and 1 PS/2 compatible keyboard/mouse interface.
2 Audio connectors for Earphone and Microphone.
1 mini-PCI socket for mini-PCI I/O modules, especially for WLAN modules.
1 DC-In plug connector and 1 terminal block for DC power input.
1 power button and 1 reset button.
- * **Storage Bay**
1 CompactFlash socket for CompactFlash modules or MicroDrives.
One 2.5" SATA hard disk space.
- * **Power requirement**
+12 ~ +24V DC, 2.64A maximum (1.96A typical) with 19V input voltage.
- * **Mechanical**
Dimensions: 401.0mm(W) x 308.0mm(H) x 63.5mm (D) (w/o wall mount kit)
Weight: 7.24Kg.(Standard packing)
Approval: IP65 Compliant.

5. I/O outlets and LED Indicator

A. Power Connectors



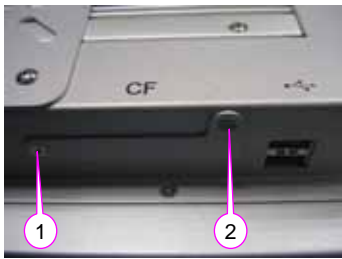
B. VGA, Serial port, Keyboard/Mouse, LAN, Audio, and USB Connectors



- Note 1: Standard PS/2 keyboard can be plugged into this connector without any adapter cable. If PS/2 keyboard and mouse will be used simultaneously, an optional Y-type adapter cable is needed.
- Note 2: The LAN port is a RJ45 connector with 2 LEDs. The orange LED indicates data is accessing and the green LED indicates on-line status. (When lighted indicates on-line and off indicates off-line)

6. Installation

A. Installing CompactFlash Modules

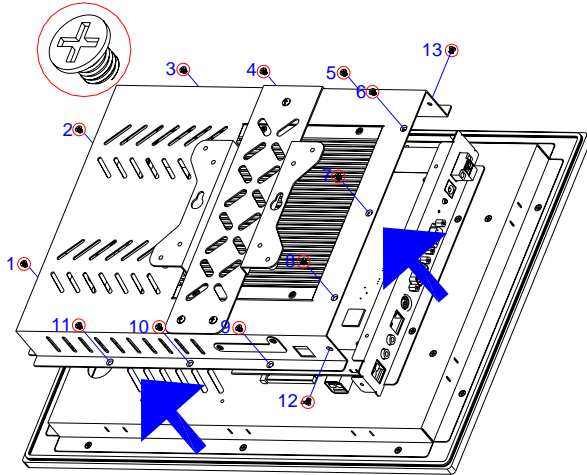


Step 1: Open the CF cover (2 screws)



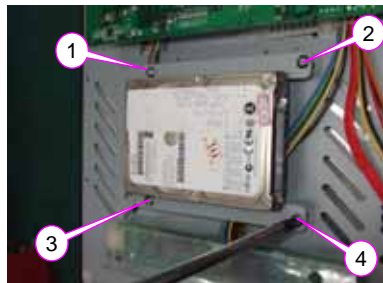
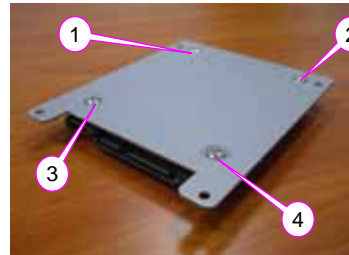
Step 2: Insert CF and close cover

B. Installing 2.5" SATA Hard Disks



Step 1: Open the back cover (13 screws)

Step 2: Insert 2.5" SATA HDD with included HDD kit (4 screws)

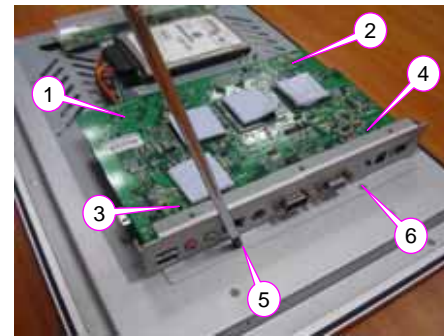


Step 3: Install HDD kit to FP8151x (4 screws)



Step 4: Connect SATA cable to HDD

C. Installing DDR2 Modules, mini PCI WLAN Modules, and Antenna



Step 1: Open the back cover as previous section shown and then release 6 screws for main board separation.



Step 2: Separate the main board from panel carefully and reverse it and put aside.



Step 3: Install/Change the DDR2 modules



Step 4: Install WLAN module and antenna cable

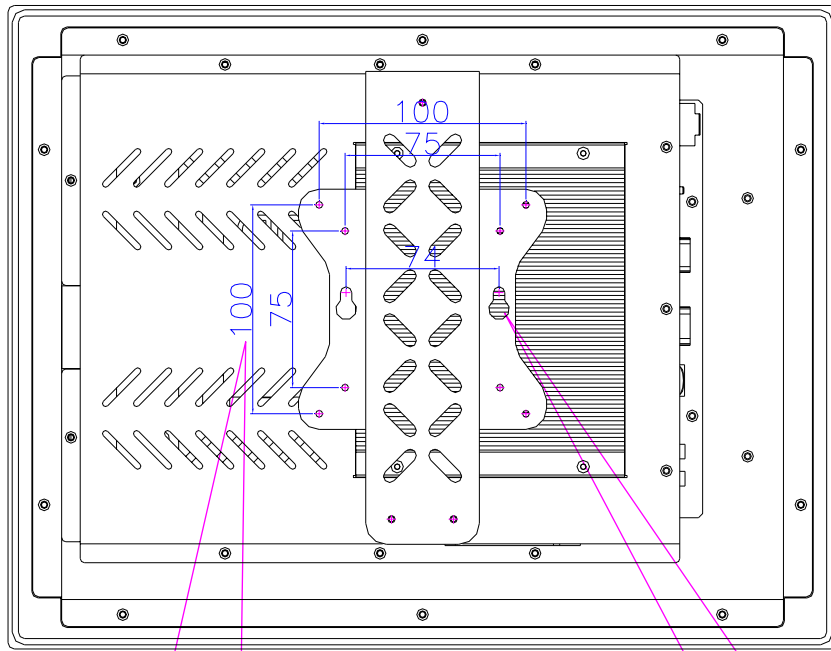


Step 5: Install antenna cable with back cover



Step 6: Close back cover and install antenna

D. Wall Mounting and Mounting Dimensions



Mounting Option 1:
VESA 75/100mm standard
for monitor stand (optional)

Wall mounting holes
(2 holes, pitch 74mm)

End of Document