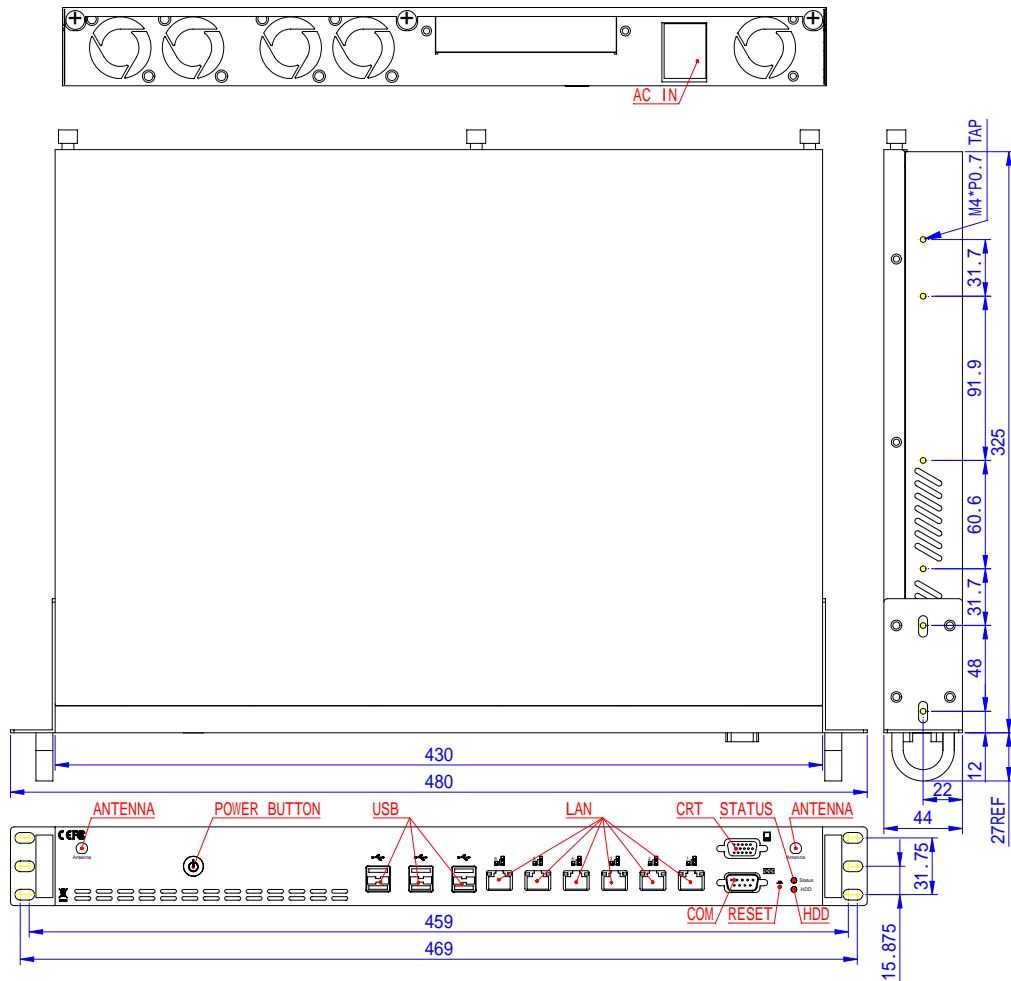


## 1. Brief

The FR9100x is a high performance multi-LAN, 1U rack-mount system. This user's quick reference provides its outlook information and I/O outlets description.

## 2. Dimensions (in mm) and Front/Rear I/O Information



## 3. Packing List

### A. Standard Items

- 1 FR9100x 1U rack-mount system.
- 1 AC power cord cable.
- 2 pack of 2.5"/3.5" SATA HDD installation kits with screws.
- 1 pair of Aluminum rack-mount handles kit with 6 screws.
- 1 CPU Thermal Pad. (15mm x 15mm)
- 1 Compact Disc including drivers, utilities, and user's manuals.

### B. Optional Items

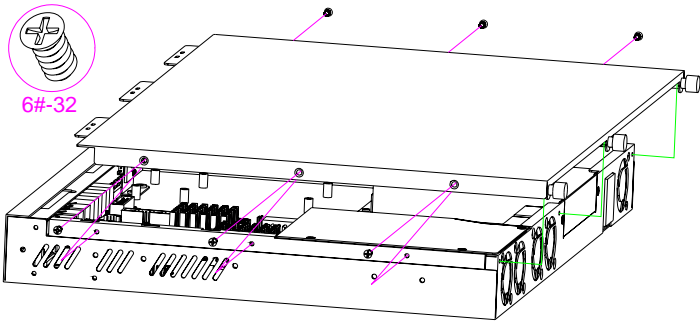
- 1 PCI Riser kit. (FR9100K1, P/N: 0606010025G)
- 1 Intel mobile processor as below list:
  - T9400 – C2D 2.53GHz, 6MB L2, 1066MHz FSB, 35 Watts
  - P8400 – C2D 2.26GHz, 3MB L2, 1066MHz FSB, 25 Watts
  - T3100 – Dual Core Celeron 1.9GHz, 1MB L2, 800MHz FSB, 35 Watts
  - Celeron 575 – 2.0GHz, 1MB L2, 667MHz FSB, 31 Watts
- 1 or 2 DDR3 Ram Modules (SoDIMM 1GB/2GB/4GB)

## 4. Features

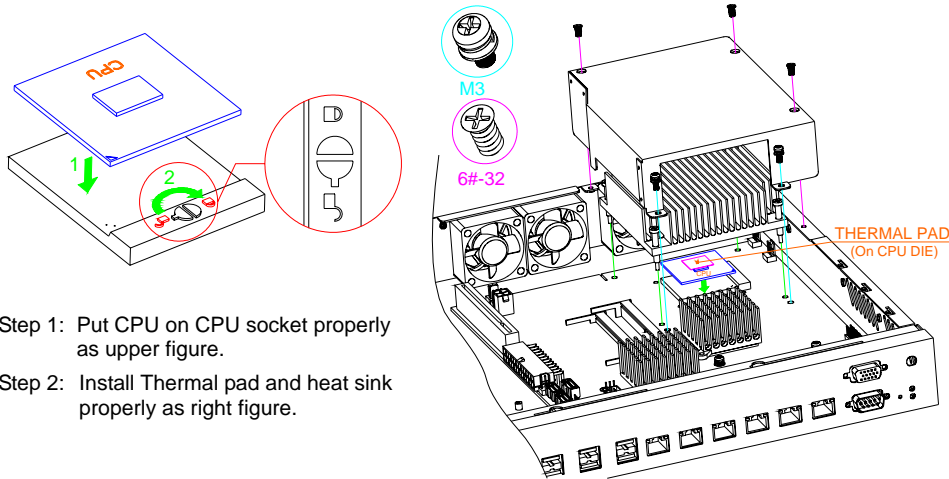
- \* **Processor Board**
  - 1 mPGA-479M socket for Intel C2D/Celeron Mobile Processor.
  - 2 SoDIMM sockets for up to 8GB DDR3 RAM.
- \* **I/O Outlets**
  - Six PCIe interface 10/100/1000 base-TX Ethernet ports.
  - 6 USB ports, 1VGA port, and 1 RS-232 serial port.
  - 1 AC-In plug connector with power button switch and reset button.
  - 1 HDD access LED (Red) and 1 user defined status LED (Blue).
- \* **Storage Bay**
  - 1 HDD storage bay supports two 2.5" or one 3.5" SATA hard disk.
  - 1 HDD storage bay (shared with PCI riser kit) supports one 2.5" or one 3.5" SATA hard disk.
- \* **Power requirement**
  - AC 100V ~ 264V/47Hz ~ 63Hz
  - 87VA maximum with T9400 processor and full loading.
  - 69VA maximum with Celeron 575 processor and full loading.
- \* **Mechanical**
  - Dimensions: 325mm(D) x 430mm(W) x 44mm(H)
  - Weight: 6.3Kg.(Standard packing)

## 5. Installation

### A. Open Top Cover for Installation (6+3 screws)



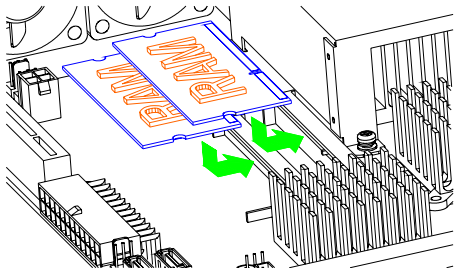
### B. CPU and Heat Sink Installation



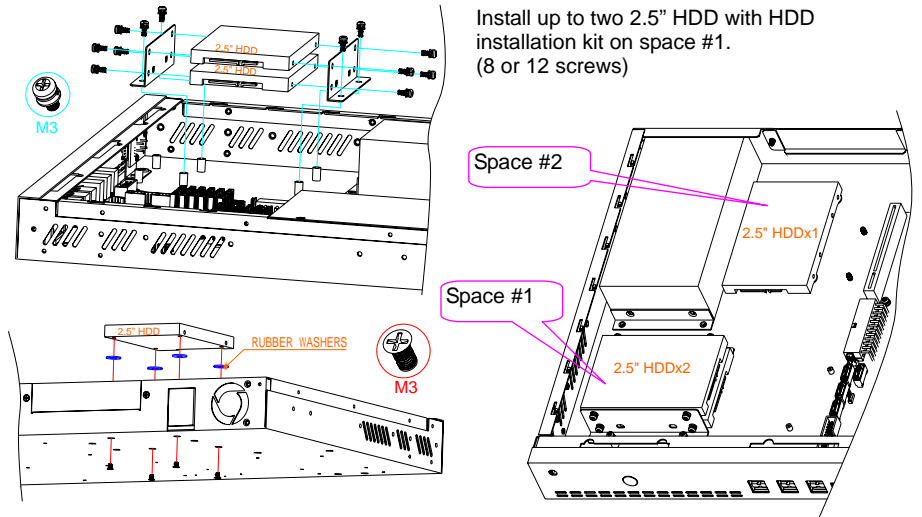
Step 1: Put CPU on CPU socket properly as upper figure.

Step 2: Install Thermal pad and heat sink properly as right figure.

### C. DDR3 RAM Module Installation

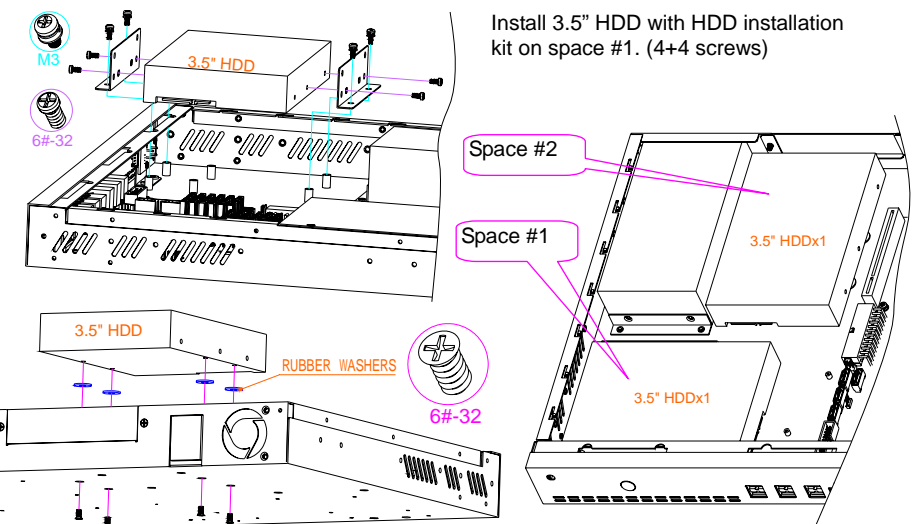


### D. 2.5"/3.5" HDD Installation



Install up to two 2.5" HDD with HDD installation kit on space #1. (8 or 12 screws)

Install 2.5" HDD on space #2. (4 screws)

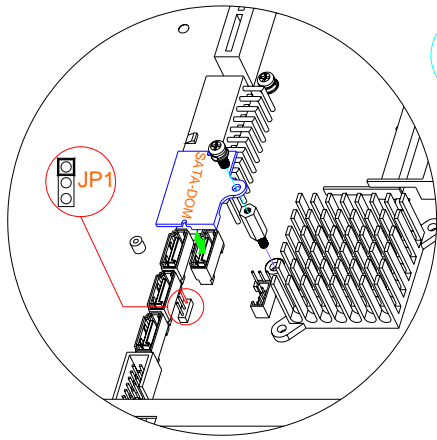


Install 3.5" HDD with HDD installation kit on space #1. (4+4 screws)

Install 3.5" HDD on space #2. (4 screws)

Note: HDD installation space #2 is shared with PCI add-on card. It can not be installed HDD and add-on card simultaneously.

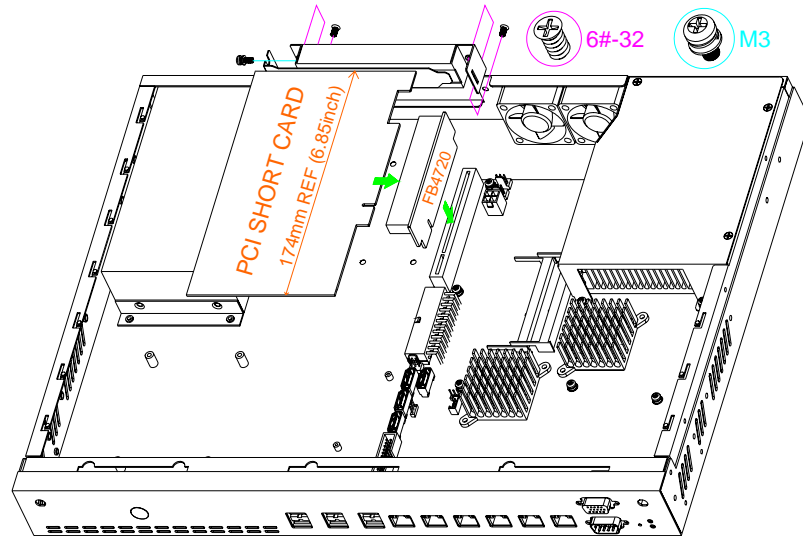
### E. SATA DOM (Optional) Installation



Caution: Please set JP1 jumper properly as following table:

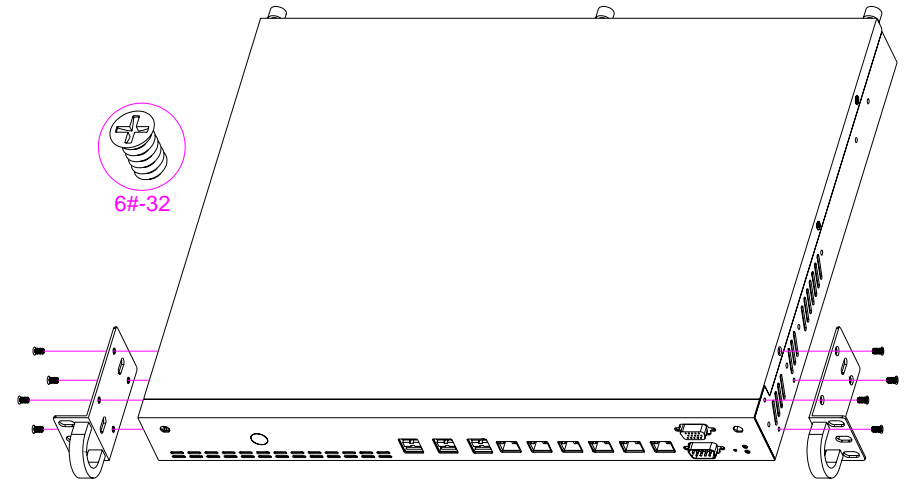
JP1 Select	Purpose	Remark
1-2	SATA DOM	
2-3	Normal SATA Device , such as SATA HDD, DVD-ROM	Factory Preset

### F. PCI Riser Card and Add-On card Installation (2+1 screws)



Note 1: PCI riser kit (FR9100K1) and PCI add-on card are optional items.  
 Note 2: The length of PCI add-on card is limited to 174mm (6.85 inches).

### G. Aluminum Rack-Mount Handles Installation (8 screws)



End of Document